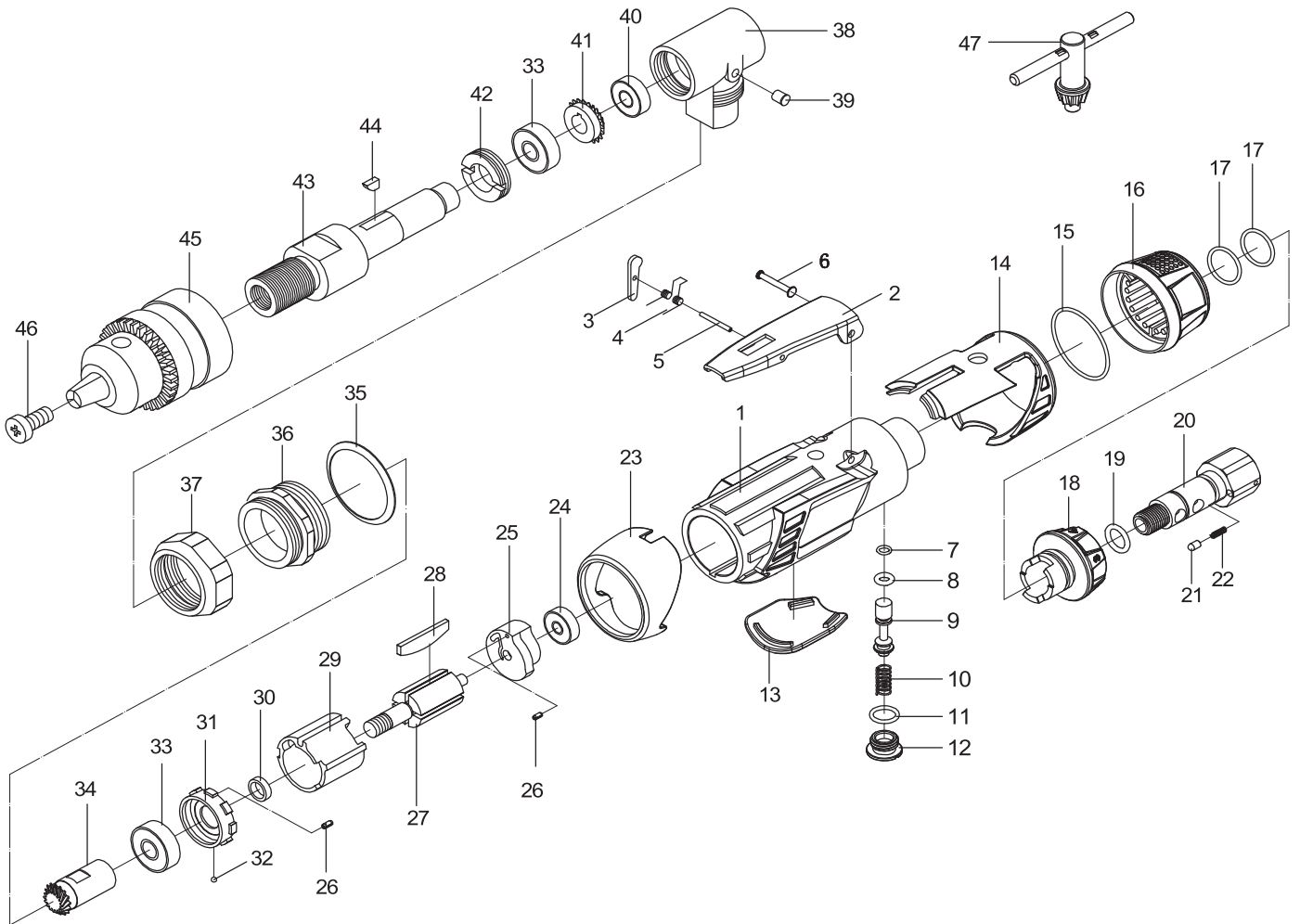




3/8" Air Angle Drill

Model:FAT38AD



REPLACEMENT KIT

Kit Model	Kit Description	Part No.
	Rotor Blade	28
	Repairable O-Ring Kit	7, 8, 22