

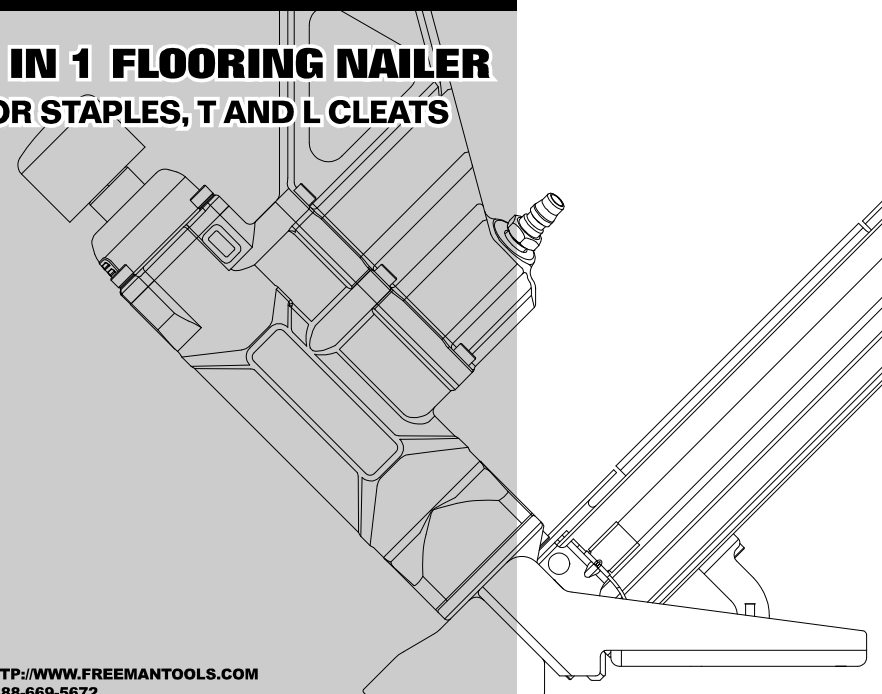
FREEMAN

- [HTTP://WWW.FREEMANTOOLS.COM](http://www.freemantools.com)
- 1-888-669-5672
- PRIME GLOBAL PRODUCTS, INC.

FREEMAN

MODEL: PDX50C

3 IN 1 FLOORING NAILER FOR STAPLES, T AND L CLEATS



- [HTTP://WWW.FREEMANTOOLS.COM](http://www.freemantools.com)
- 1-888-669-5672
- PRIME GLOBAL PRODUCTS, INC.



WARNING:

Failure to follow warnings could result in DEATH OR SERIOUS INJURY.

SAVE THIS MANUAL FOR FUTURE REFERENCE

GENERAL SAFETY RULES	P3
UNPACKING	P5
FEATURES	P5
OPERATION	
LOADING CLEAT NAILS	P6
LOADING STAPLES	P6
CHANGE THE FOOT PLATE	P6
ADJUSTING THE FRONT FOOT	P6
SETTING THE AIR PRESSURE	P7
OPERATING THE TOOL	P7
CLEARING JAMS	P8
MAINTENANCE	P8
RECOMMENDED HOOKUP	P9
TROUBLE SHOOTING	P9
WEARING PARTS	P9
WARRANTIES	P10

WARNING:

The warnings and precautions discussed in the manual cannot cover all possible conditions and situations that may occur. It must be understood by the user that common sense and caution are factors which cannot be built into this product, but must be supplied by the user.

SAVE THIS MANUAL

- Keep this manual for the safety warnings, precautions, operations, inspections and maintenance. Keep this manual and the receipt in a safe and dry place for future reference.

WARNING:

To avoid serious personal injury, do not attempt to use this product until you read the manual thoroughly and understand it completely. Save this manual and review frequently for continuing safe operation and instructing others who may use this tool.

SYMBOLS

- In this manual, on the labels, packages and all other information provided with this tool. The following signal words and meanings are intended to explain the levels of risk associated with this tool.

SYMBOLS	SIGNAL	MEANING
	WARNING:	Indicates a potentially hazardous situation, which, if not avoided, could result in death or serious injury.
	CAUTION:	Indicates a potentially hazardous situation, which, if not avoided, may result in minor or moderate injury.
	CAUTION:	(Without symbol) Indicates a situation that may result in property damage.

GENERAL SAFETY RULES

INSTRUCTIONS PERTAINING TO A RISK OF FIRE, ELECTRIC SHOCK, OR INJURY TO PERSONS

WARNING:

When using tools, basic precautions should always be followed, including the following:

CALIFORNIA PROPOSITION 65

WARNING:

This product or its power cord may contain chemicals known to the State of California to cause cancer and birth defects or other reproductive harm. Wash hands after handling.

WORK AREA

- **Keep the work area clean and well lighted.** Cluttered benches and dark areas increase the risks of accidents.
- **Do not operate the tool in explosive atmospheres, such as in the presence of flammable liquids, gases, or dust.** The tool creates a spark which may ignite flammable liquids, gases or dust.
- **Keep bystanders, children, and others away while operating the tool.** Distractions could result in improper use and cause injury.
- **Avoid unintentional misfires.** Always use caution to avoid accidentally firing. Do not point towards yourself or anyone whether it contains fasteners or not.

PERSONAL SAFETY

- **Always wear eye protection.** Operator and others in the work area should always wear ANSI-approved safety goggles with side shields. Eye protection is used to guard against flying fasteners and debris, which may cause severe eye injury. You can use the goggles packed with the tool.
- **Always wear hearing protection when using the tool.** Prolonged exposure to high intensity noise may cause hearing loss.
- **Use safety equipment.** A dust mask, non-skid safety shoes and a hard hat must be used for the applicable conditions. Wear a full face shield if you are producing metal filings or wood chips.
- **Dress properly.** Do not wear loose clothing or jewelry. Contain long hair. Keep your hair, clothing, and gloves away from moving parts. Loose clothes, jewelry, or long hair can be caught in moving parts.
- **Stay alert, watch what you are doing and use common sense when operating a power tool.** Do not use tool while tired or under the influence of drugs, alcohol, or medication. A moment of inattention while operating the tool may cause serious injury.
- **Keep proper footing and balance at all times.** Proper footing and balance enables better control of the tool in unexpected situations.
- **Make sure the hose is free of obstructions or snags.** Entangled or snarled hoses can cause loss of balance or footing and may become damaged, resulting in possible injury.

TOOL USE AND CARE

- **Know this tool.** Read manual carefully, learn its applications and limitations, as well as the specific potential hazards related to this tool.
- **Use only fasteners that are recommended for your models.** Do not use the wrong fasteners or load the fasteners incorrectly.
- **Check for misalignment or binding of moving parts, breakage of parts, and any other condition that may affect the tool's operation.** If damaged, have the tool serviced before using. Many accidents are caused by poorly maintained tools.
- **Maintain tools with care.** Keep tool clean. A properly maintained tool, reduces the risk of binding and is easier to control.
- **Store tools out of the reach of children and other untrained people.** Tools are dangerous in the hands of untrained users.
- **Check operation of the tool before use.**
- **Do not force tool.** Use the correct tool for your application. The correct tool will do the job better and safer at the rate for which it is designed.
- **Use clamps or another practical way to secure and support the workpiece to a stable platform.** Holding a tool by hand or against the body is unstable and may lead to loss of control.
- **Keep the tool and its handle dry, clean and free from oil and grease.** Always use a clean cloth when cleaning. Never use brake fluids, gasoline, petroleum-based products, or any strong solvents to clean your tool.
- **Do not use the tool as a hammer.**
- **Never use this tool in a manner that could cause a fastener to be directed toward anything other than the workpiece.**
- **Always carry the tool by the handle.** Never carry the tool by the air hose.
- **Do not use the tool if it leaks air or does not function properly.**
- **Do not operate the tool if it does not contain a legible warning label.**

TOOL SERVICE

- **Use only accessories that are identified by the manufacturer for the specific tool model.**
- **Use of unauthorized parts or failure to follow maintenance instructions may create a risk of injury.**
- **Use only the lubricants supplied with the tool or specified by the manufacturer.**
- **Tool service must be performed only by qualified repair personnel.**

OPERATION

- **Do not drive fasteners near edge of material.** The workpiece may split causing the fastener or ricochet, injuring you or people around.
- **Do not drive fasteners on top of other fasteners or with the tool at an overly steep angle as this may cause deflection of fasteners which could cause injury.**
- **Do not actuate the tool unless you intend to drive a fastener into the workpiece.**
- **Always handle the tool with care:**
 - ◆ Respect the tool as a working implement.
 - ◆ Never engage in horseplay.
 - ◆ Keep others a safe distance from the tool while tool is in operation as accidental actuation may occur, possibly causing injury.

AIR SUPPLY AND CONNECTIONS

- **The connector on the tool must not hold pressure when air supply is disconnected.** If an incorrect fitting is used, the tool can remain charged with air after disconnecting and thus will be able to drive a fastener even after the air line is disconnected, possibly causing injury.
- **Do not use oxygen, combustible gases or bottled gasses as a power source for this tool.** Explosion may occur, causing injury or death.
- **Do not connect with an air compressor which can potentially exceed 200 Psi.** As tool may burst, possibly causing injury.
- **Always disconnect air resource:**
 - ◆ Before making adjustments.
 - ◆ When servicing the tool.
 - ◆ When clean a jam.
 - ◆ When tool is not in use.
 - ◆ When moving to a different work area, as accidental actuation may occur, causing injury.

LOADING TOOL

- **Do not load the tool with fasteners when any one of the operating controls is activated.**
- **Never place a hand or any part of body in fastener discharge area of tool.**
- **Never point tool at anyone.**

▲ **WARNING:**

The warnings and precautions discussed above cannot cover all possible conditions and situations that may occur. It must be understood by the user that common sense and caution are factors which cannot be built into this product, but must be supplied by the user.

UNPACKING

- This tool has been shipped completely assembled.
- Make sure that all items listed in the packing list are included.
- Carefully remove the tool and any accessories from the box.
- Inspect the tool carefully to make sure no breakage or damage occurred during shipping.
- Do not discard the packing material until you have carefully inspected and satisfactorily operated the tool.
- If any parts are damaged or missing, please call 1-888-669-5672.

PACKING LIST

3 In 1 flooring nailer
Color box
Mallet
Air connector
Adjustment tools
Lubrication oil
Anti-dust cap
5/8" foot plate
Instruction manual
Safety goggles

▲ **WARNING:**

If any parts are missing do not operate this tool until the missing parts are replaced. Failure to do so could result in possible serious personal injury.

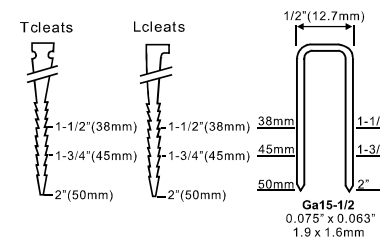
▲ **WARNING:**

Do not attempt to modify this tool or create accessories not recommended for use with this tool. Any such alteration or modification is misuse and could result in hazardous condition leading to possible serious personal injury.

FEATURES

SPECIFICATIONS

Operation pressure:	70–115psi
Nails capacity:	L: 100pcs T: 100pcs U: 120pcs
Tool weight:	10 lbs
Air inlet:	1/4"NPT
Fasteners:	



Compatible with Stanley Bostitch & Generic Brands 1/2" Staples, T-Cleats, & L-Cleats.

FEATURES

- **REVOLUTIONARY 3 IN 1 DESIGN**
For use with Staples, T-Cleats and L-Cleats.
- **NO-MAR DESIGN**
Provides increased protection from marring when working with a finished flooring surface.
- **ANODIZED ALUMINUM MAGAZINE**
For long lasting durability.
- **DURABLE CONSTRUCTION**
Light weight and durably constructed of high-strength aluminum and heat treated steel parts.
- **AIR FILTER**
Keeps interior components debris free, extending tool life.
- **MALLET INCLUDED**

OPERATION

LOADING CLEAT NAILS

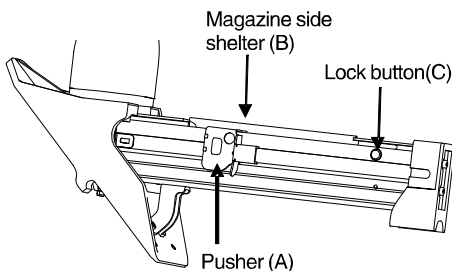
1. Pull the Pusher(A) back to the end of magazine. Lock pusher in the place by using the Lock button(C). Then pull the Magazine side shelter(B) back.
2. Place full clip of desired Fasteners into magazine from the side. Up to 100 cleat nails can be loaded into magazine. Be noted that, when loading the L cleat nails, the side with the L head should be in the left of the Magazine side shelter(B). Press the Lock button(C), then the Pusher(A) set back to make the Magazine side shelter(B) down back.

LOADING STAPLES

1. Pull the Pusher(A) back to the end of magazine. Lock pusher in the place by using Lock button(C). Then pull the Magazine side shelter(B) back.
2. Place a full clip of 1/2" Crown Staples in the magazine from the top. Up to 120pcs can be loaded into the tool.
3. Press the Lock button(C), then the Pusher(A) sets back to make the Magazine side shelter(B) down back.

▲ WARNING:

The tool may fire when it first connected to the air resource. Always connect the tool to the air resource before loading fasteners to prevent injury from unintended cycling. Always make sure the tool's magazine is empty at the beginning of each work session, before connecting to an air resource.



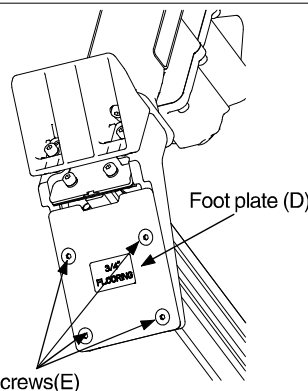
CHANGE THE FOOT PLATE

The tool is equipped with a factory pre-installed 3/4" foot plate(D). And an additional uninstalled 5/8" foot plate. To change the plate:

1. Disconnect the tool from the air resource.
2. Empty the magazine completely.
3. Fire the tool into a piece of scrap wood to ensure there is no compressed air or fasteners left in the tool.
4. Set the tool on its side to expose the four screws(E).
5. Remove the four screws(E), then, remove the foot plate.
6. Align the four screw holes in the replacement foot plate with the four threaded mounting holes.
7. Using the four screws you removed just now, secure the replacement foot plate to the tool.
8. Ensure the correct Foot Plate is installed by firing into a scrap piece of flooring and checking for proper fastener placement.

▲ WARNING:

Disconnect the tool from the air source whenever changing the foot plate. Make sure there is no fastener in the magazine before changing the foot plate.



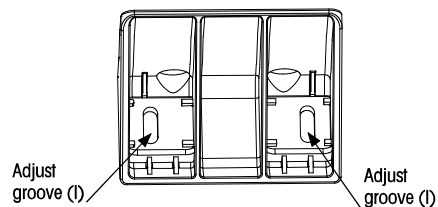
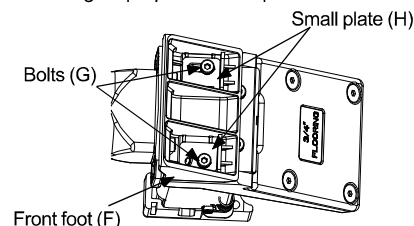
ADJUST THE FRONT FOOT

The tool is equipped with an adjustable front foot, can be adjusted for 3/4" -5/8" wood floors. This tool is shipped out set for 3/4" wood floor.

To adjust the front foot (F):

1. Disconnect the tool from the air resource.

2. Empty the magazine completely.
3. Fire the tool into a piece of scrap wood to ensure there is no compressed air or fasteners left in the tool.
4. Set the tool on its side to expose the two Bolts(G) and two Small Plates(H).
5. Loose these two Bolts (G) and two Small Plates (H) to ensure move the Front Foot(F) in the range of the Adjust Groove(I).
6. Adjust the proper position of the Front Foot(F) according to the actual thickness of wood floors and then lock tightly these two Bolts(G) and two Small Plates(H).
7. Ensure the correct front foot set for the wood floor by firing into a scrap piece of flooring and checking for proper fastener placement.



▲ WARNING:

Disconnect the tool from the air source whenever changing the foot plate. Make sure there is no fastener in the magazine before changing the foot plate.

SETTING THE AIR PRESSURE

The amount of air pressure required depends on the size of the fasteners and the workpiece material. Begin testing the depth of drive by driving a test nail into the same type of workpiece material used for the actual job.

Drive a test fastener with the air pressure set at 90-95psi. Raise or lower the air pressure to find the lowest setting that will perform the job with consistent results.

OPERATING THE TOOL

1. Attach the tool to the air resource. Start your compressor and check the pressure, making sure it is set between 70-115psi. Do not exceed the maximum 120psi.
2. Hold the Hand grip(J) securely and Press the Foot plate(D) to the work surface. Make sure the plate is over the fastener target position.
3. Press down hard so that the foot plate is firmly contacting the work surface. Then, using the mallet packed with the Tool, strike the hammer cap(K) firmly to drive the fastener into work surface. Lift the tool off the work surface. Repeat this process until the job is completed.
4. When finished, make sure to store the tool in a clean, dry, safe location out of reach of children and other unauthorized People.

▲ WARNING:

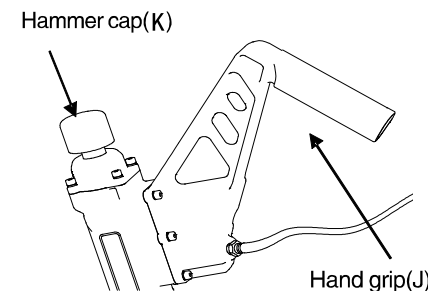
Extreme caution must be used whenever this tool is connected to an air resource. If the tool is dropped, or if the Hammer cap(K) is accidentally struck, then the tool will fire a fastener, potentially causing SERIOUS PERSONAL INJURY.

▲ WARNING:

Keep your feet off the tool.

▲ WARNING:

Before using the tool on a floor, test the tool on a scrap piece of wood. Adjust the driving depth by providing more or less air pressure. Never exceed 120PSI.

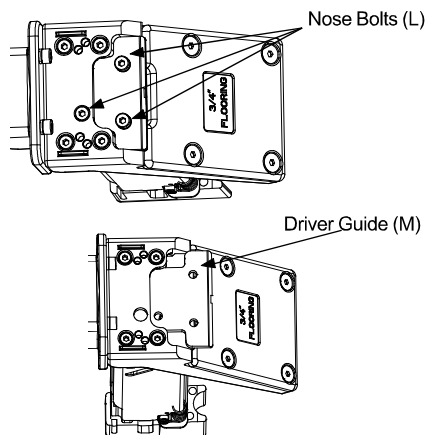


CLEARING JAMS

Occasionally, fasteners may become jammed in the firing mechanism of the tool, making the tool inoperable. To remove a jammed fastener, follow the steps below:

1. Disconnect the tool from air resource.
2. Empty the magazine. Make sure all fasteners are removed.
3. Try to fire the tool into a piece of scrap wood or flooring to make sure that it's incapable of firing any fasteners.
4. Set the tool on its side to expose the two Bolts (G) and two Small Plates(H)under the screws.
5. Removed these Nose Bolts(G) and two Small Plate(H). Three Nose Bolts(L) can be seen after removing the Front Foot(F).
6. Remove three Nose Bolts(L), slide the Driver Guide (M) out to expose the jammed fastener.
7. Remove jammed fastener, using plier or a screwdriver if required.
8. Replace the Driver Guide(M) and Nose Bolts (L)
9. Replace the Front Foot (F), Plate (H) and bolts (G) back.
- 10.Reload the tool with fasteners, then reconnect the air resource to the tool.
- 11.Press the Drive guide (M) against a piece of wood, and test fire the fasteners several times to check for proper operation. If the tool is properly firing, you may continue using the tool. If the tool fails to perform properly, immediately discontinue use and have the tool repaired by a qualified service technician.

WARNING:
Make sure there is no fastener in the magazine before clearing a jam.



MAINTENANCE

WARNING:
Any time inspection, maintenance, and cleaning are done:
◆ Disconnect the tool from the air resource.
◆ Empty the magazine completely.

ANTI-DUST

Each FREEMAN tool is packed with an anti-dust cap on the air connector, check it after unpacking. Keep the anti-dust cap to cover the air connector when the tool is not in use to prevent debris from entering the tool.

LUBRICATION

Frequent, but not excessive, lubrication is required for best performance. Oil for the tool added through the air line connection add will lubricate the internal parts. Do not detergent oil or additives as these lubricants will cause accelerated wear to the seals and bumpers in the tool, resulting in poor tool performance and frequent tool maintenance.

CAUTION:
Lubricate tool only with specified lubricants.

CLEARING

Avoid using solvents when cleaning plastic parts. Most plastics are susceptible to damage from various types of commercial solvents and maybe damaged by their use. Use clean cloths to remove dirt, dust , oil, grease, etc.

WARNING:
Do not at any time let brake fluids, gasoline, petroleum-based products, penetration oils, ect. come in contact with plastic parts. Chemicals can damage, weaken or destroy plastic which may result in serious personal injury.

COLD WEATHER OPERATION

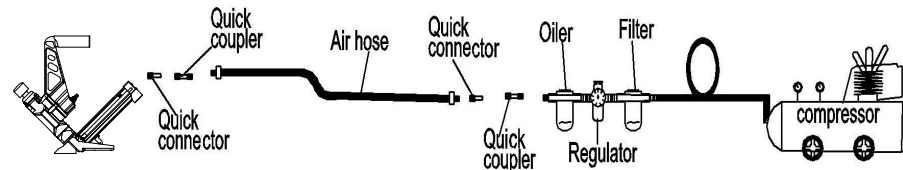
For cold weather operation, near and below freezing, the moisture in the air line may freeze and prevent tool operation. We recommend the use of air tool lubricant or permanent antifreeze (ethylene glycol) as a cold weather lubricant.

CAUTION:
Do not store tools in a cold weather environment to prevent frost or ice formation on the tools' operating valves and mechanisms that could cause tool failure.

RECOMMENDED HOOKUP

CAUTION:
The air compressor must be able to maintain a minimum of 70psi when the tool is being used. An inadequate air supply can cause a loss of power and inconsistent driving.

WARNING:
Do not connect with an air compressor which can potentially exceed 200psi. As tool may burst, possibly causing injury.



TROUBLE SHOOTING

PROBLEMS	POSSIBLE CAUSES	CORRECTION ACTIONS
Air leaking in head cap.	1. Loose screws. 2. Worn or damaged O-rings or seals.	1. Tighten screws. 2. Install overhaul kit.
Lack of power. Slow to cycle.	1. Tool is too dry. 2. Air pressure too low. 3. Exhaust blocked.	1. Add about 2-3 drops of lubrication into the air connector. 2. Make sure the air compressor is set between 70psi and 115psi. 3. Clean exhaust channel.
Not shooting fasteners .	1. Damaged pusher spring. 2. Wrong size of fasteners.	1. Replace spring. 2. Use 1/2" crown staples or 1-1/2" to 2"nails.
Fasteners are jammed in the tool frequently.	1. Drive channel is worn. 2. Piston is broken or worn. 3. Bent fasteners. 4. Dirty magazine. 5. Loose magazine. 6. Wrong fasteners.	1. Fix the drive channel. 2. Replace the piston. 3. Remove the bent fasteners, replace with the 1/2" crown staples or 1-1/2" to 2"nails. 4. Clean magazine. 5. Tighten screws. 6. Verify that fasteners are the correct size.

WARNING:
Use only Freeman Authorized Repair Parts. For questions please call 1-888-669-5672 or visit our website at <http://www.freemantools.com>

WEARING PARTS

Repair parts can be ordered from our website: <http://www.freemantools.com>

MODEL: PDX50C



**FREEMAN
PGP INC. PRODUCT WARRANTIES**

Professional 7-Year Limited Warranty

This warranty of Freeman Nail Guns extends exclusively to the original purchaser of the Freeman Nailing Gun seven(7) years from the original purchase date. PGP Inc. expressly warrants that the Freeman Nail Gun is free from defect in materials and workmanship subject to the exceptions and limitations contained herein.

Professional 90 Day Limited Warranty

This warranty of PGP Inc.'s driver blades, bumpers, o-rings, pistons, piston rings, and gaskets (the "Freeman Wearing Parts" collectively with the Freeman Nailing Guns the "Freeman Product") extends exclusively to the original purchaser of the Freeman Wearing Parts ninety(90) days from the original purchase date due to a defect in material and workmanship.

PGP Inc. shall repair or replace, at its option, a Freeman Product that has a defect in materials or workmanship. The original purchaser must return the complete Freeman Product, postage prepaid and insured, with proof of purchase to PGP Inc. or any of its authorized service centers. Other than the postage and insurance requirement, no charge will be made for repairs covered by this warranty.

These warranties do not apply to defects in materials or workmanship or damages resulting from repairs or alterations which have been made or attempted by others or the unauthorized use of nonconforming parts. They further do not apply if the damage is due to normal wear and tear, abuse, improper maintenance, neglect or accident or caused by use of the Freeman Product after partial failure or use with improper accessories.

The Freeman Product is intended for use by individuals and not for use on an assembly line, production line, or any commercial application. These warranties do not extend to such commercial use as it constitutes abuse of the Freeman Product.

NO WARRANTY, ORAL OR WRITTEN, EXPRESSED OR IMPLIED, OTHER THAN THE ABOVE WARRANTY IS MADE WITH REGARD TO THIS FREEMAN PRODUCT. PGP INC. DISCLAIMS ANY IMPLIED WARRANTY OF MERCHANTABILITY OR FITNESS FOR A PARTICULAR USE OR PURPOSE, AND ALL OTHER WARRANTIES. IN NO EVENT SHALL PGP INC. BE LIABLE FOR ANY INCIDENTAL, SPECIAL, CONSEQUENTIAL OR PUNITIVE DAMAGES, OR FOR ANY COSTS, ATTORNEY FEES, EXPENSES, LOSSES OR DELAYS ALLEGED TO BE AS A CONSEQUENCE OF ANY DAMAGE TO, FAILURE OF, OR DEFECT IN ANY PRODUCT INCLUDING, BUT NOT LIMITED TO, ANY CLAIMS FOR LOSS OF PROFITS.

These warranties are the sole and exclusive warranties, express or implied for the Freeman Product. No employee, agent, dealer or other person is authorized to alter, modify, expand or reduce the terms of these warranties or to make any other warranty on behalf of PGP Inc. These express limited warranties, contains the entire agreement regarding express and implied warranties related to the Freeman Product. No writing or languages in the purchase order or any other document shall be construed as an addition or alteration of PGP Inc.'s warranties of the Freeman Product.

All matters related to the sale and/or use of the Freeman Product that is the subject of these limited warranties, along with the construction and enforcement of the terms of these limited warranties themselves, shall be subject to the laws of the state of Georgia. Any dispute arising out of the sale and/or use of the Freeman Product that is the subject of these limited warranties shall be brought in Cherokee County, Georgia. Purchase and/or use of the Freeman Product, makes you subject to the benefits and limitations of these limited warranties. Accordingly, any writ, judgment or other enforcement, obtained from a jurisdiction, county, parish, state or federal court or other country, other than from the forum identified above, shall be void and unenforceable against PGP Inc.

Some states do not allow limitations on how long an implied warranty lasts, so the above limitations may not apply to you. Some states do not allow the exclusion or limitation of incidental or consequential damages, so the above limitation or exclusion may not apply to you.

If any term or limitation contained in this limited warranty is deemed unenforceable by law, then that term shall be severed from the remaining portions of the limited warranties which shall remain enforceable.

These warranties are subject to change without notice.



MODELO: PDX50C

**CLAVADORA PARA PISOS
3 EN 1
PARA GRAPAS Y LISTONES EN T Y L**

- [HTTP://WWW.FREEMANTOOLS.COM](http://www.freemantools.com)
- 1-888-669-5672
- PRIME GLOBAL PRODUCTS, INC.



ADVERTENCIA:

No seguir las advertencias puede causar LA MUERTE O LESIONES GRAVES.

GUARDA ESTE MANUAL PARA REFERENCIA FUTURA.

NORMAS GENERALES DE SEGURIDAD	P12
DESEMBALAJE	P14
CARACTERÍSTICAS	P15
FUNCIONAMIENTO	
CÓMO CARGAR LISTONES	P15
CÓMO CARGAR GRAPAS	P15
CÓMO CAMBIAR LA PLACA BASE	P16
CÓMO AJUSTAR LA PATA FRONTAL	P16
CÓMO CONFIGURAR LA PRESIÓN DE AIRE	P17
CÓMO USAR LA HERRAMIENTA	P17
CÓMO RETIRAR SUJETADORES ATASCADOS	P17
MANTENIMIENTO	P18
CONEXIÓN RECOMENDADA	P19
SOLUCIÓN DE PROBLEMAS	P19
PIEZAS DÉSGASTADAS	P19
GARANTIAS	P20

ADVERTENCIA:

Las advertencias y precauciones mencionadas en este manual no cubren todas las condiciones y situaciones posibles que pudieran ocurrir. El usuario debe comprender que el sentido común y la precaución son factores que no se pueden incorporar con el producto, sino que deben ser suministrados por el usuario.

GUARDAR ESTE MANUAL

- Guarde este manual como referencia para las advertencias de seguridad, precauciones, el funcionamiento, las inspecciones y el mantenimiento. Guarde este manual y el recibo de compra en un lugar seguro y seco para referencia futura.

ADVERTENCIA:

Para evitar lesiones personales graves, no intente usar este producto hasta que haya leído y comprendido completamente el manual. Guarde este manual y consúltelo frecuentemente para utilizar la herramienta de forma segura y para instruir a otras personas para que puedan utilizarla.

SÍMBOLOS

- En este manual, en las etiquetas, los embalajes y en toda la información incluida con esta herramienta, se usan las siguientes indicaciones y sus significados para explicar los niveles de riesgo asociados a esta herramienta.

SÍMBOLOS	INDICACIÓN	SIGNIFICADO
	ADVERTENCIA:	Indica una situación potencialmente peligrosa que, de no evitarse, puede ocasionar la muerte o lesiones graves.
	PRECAUCIÓN:	Indica una situación potencialmente peligrosa que, de no evitarse, puede ocasionar lesiones menores o moderadas.
	PRECAUCIÓN:	(Sin símbolo) Indica una situación que puede ocasionar daños en la propiedad.

NORMAS GENERALES DE SEGURIDAD

INSTRUCCIONES EN REFERENCIA AL PELIGRO DE INCENDIOS, CHOQUE ELECTRICO O LESIONES PERSONALES

ADVERTENCIA:

Quando se usen herramientas, siempre se deberán seguir precauciones básicas, incluyendo las siguientes:

PROPOSICIÓN 65 DE CALIFORNIA

ADVERTENCIA:

Este producto, a su cordón eléctrico, puede contener productos químicos conocidos por el estado de California como causantes de cáncer y defectos de nacimiento u otros daños reproductivos. Lave sus manos después de usar.

ÁREA DE TRABAJO

- Mantenga el área de trabajo limpia y bien iluminada. Los bancos de trabajo desordenados y las áreas oscuras aumentan el riesgo de accidentes.
- No utilice la herramienta en atmósferas en las que exista riesgo de explosión, como por ejemplo en presencia de líquidos inflamables, gases o polvo. La herramienta produce una chispa que podría encender líquidos inflamables, gases o polvo.
- Mantenga a los transeúntes, niños y a otras personas alejadas cuando esté utilizando la herramienta. Las distracciones podrían resultar en el uso inapropiado y causar lesiones.
- Evite los disparos accidentales. Siempre tenga precaución para evitar disparos accidentales. No apunte la herramienta hacia usted u otra persona, aun cuando no contenga sujetadores.

SEGURIDAD PERSONAL

- Use siempre lentes de protección. El operador y cualquier otra persona que esté en el área de trabajo deben usar siempre gafas de seguridad con protecciones laterales aprobadas por las normas ANSI. Los lentes de protección se usan para evitar que los sujetadores o los desperdicios que se expulsan puedan causar una lesión ocular grave. Puede usar las gafas que se incluyen con la herramienta.
- Use siempre protección para los oídos cuando utilice esta herramienta. La exposición prolongada a ruidos de alta intensidad puede causar la pérdida de la audición.
- Utilice equipo de seguridad. Se deben utilizar una máscara de polvo, zapatos de seguridad antideslizantes y un casco para las condiciones aplicables. Use una máscara que cubra completamente su rostro si está produciendo partículas metálicas o astillas de madera.
- Use ropa adecuada. No use ropa holgada o joyas. Tómese el cabello largo. Mantenga el cabello, ropa y guantes lejos de las piezas en movimiento. Las ropas holgadas, joyas o el cabello largo pueden quedar atrapados en las piezas en movimiento.
- Manténgase alerta, preste atención a lo que hace y utilice el sentido común cuando utilice una herramienta eléctrica. NO utilice la herramienta si está cansado o bajo la influencia de drogas, alcohol o medicamentos. Un momento de desatención mientras utiliza la herramienta puede causar lesiones graves.
- Mantenga un apoyo de pies y un equilibrio adecuados en todo momento. Un apoyo de pies y equilibrio adecuados permiten un mejor control de la herramienta en situaciones inesperadas. No la use si está parado sobre una escalera u otra superficie inestable. Un apoyo de pies estable sobre una superficie sólida permite un mejor control de la herramienta en situaciones inesperadas.

- **Asegúrese de que la manguera esté libre de obstrucciones o enganches.** Las mangueras enredadas o enganchadas pueden causar la pérdida de equilibrio o del apoyo de pies y podrían dañarse y causar posibles lesiones.

USO Y CUIDADO DE LA HERRAMIENTA

- **Conozca esta herramienta.** Lea el manual cuidadosamente, conozca sus aplicaciones y limitaciones, así como también los posibles peligros específicos relacionados con esta herramienta.
- **Utilice sólo los sujetadores recomendados para cada modelo.** No utilice sujetadores inadecuados ni cargue los sujetadores de forma incorrecta.
- **Verifique que no existan piezas móviles mal alineadas o trabadas, piezas rotas ni cualquier otra condición que pueda afectar el funcionamiento de la herramienta.** Si se daña, haga reparar la herramienta antes de usarla. Muchos accidentes son producto del mal mantenimiento de las herramientas.
- **Realice un mantenimiento adecuado de las herramientas.** Mantenga la herramienta limpia. Una herramienta mantenida adecuadamente no se trabará con frecuencia y será más fácil de controlar.
- **Almacene las herramientas fuera del alcance de los niños y de otras personas sin capacitación.** Las herramientas son peligrosas en manos de usuarios sin capacitación.
- **Revise el funcionamiento de la herramienta antes de usarla.** No utilice la herramienta si el mecanismo de contacto de la pieza de trabajo no funciona correctamente, ya que se podría disparar un sujetador accidentalmente.
- **No fuerce la herramienta.** Utilice la herramienta adecuada para su aplicación. La herramienta adecuada realizará un trabajo más seguro y de mejor calidad al ritmo para el que fue diseñada.
- **Utilice abrazaderas u otro método práctico para asegurar y sostener la pieza de trabajo en una plataforma estable.** Sostener la herramienta con una sola mano o apoyada en su cuerpo es inestable y puede causar la pérdida del control.
- **Mantenga la herramienta y su mango secos, limpios y sin aceite ni grasa.** Siempre utilice un paño limpio para limpiarla. Nunca utilice líquidos para frenos, gasolina, productos a base de petróleo o cualquier solvente fuerte para limpiar la herramienta.

- **No utilice la herramienta como un martillo.** Nunca utilice esta herramienta de una manera que pueda causar que un sujetador sea dirigido hacia cualquier cosa que no sea la pieza de trabajo.
- **Siempre transporte la herramienta por el mango.** Nunca transporte la herramienta por la manguera de aire comprimido.
- **No utilice la herramienta si hay una filtración de aire o si no funciona correctamente.**
- **No utilice la herramienta si no tiene una etiqueta de advertencia legible.**

REPARACIÓN DE LA HERRAMIENTA

- **Use sólo accesorios identificados por el fabricante para utilizarse con el modelo específico de la herramienta.**
- **El uso de piezas no autorizadas o no seguir las instrucciones de mantenimiento podrían provocar riesgo de lesiones.**
- **Use sólo los lubricantes incluidos con la herramienta o especificados por el fabricante.**
- **Sólo personal de reparación calificado puede llevar a cabo la reparación de la herramienta.**

FUNCIONAMIENTO

- **No dispare sujetadores cerca del borde del material.** La pieza de trabajo se puede partir, causando que el sujetador rebote lastimándolo a usted o las personas que estén a su alrededor.
- **No dispare los sujetadores sobre otros sujetadores o con la herramienta en un ángulo demasiado inclinado, ya que esto puede provocar que los sujetadores se desvíen y causar lesiones.**
- **No accione la herramienta al menos que intente disparar el sujetador en la pieza de trabajo.**
- **Siempre manipule la herramienta con cuidado:**
 - ◆ Respete la herramienta como implemento de trabajo.
 - ◆ Nunca juegue con la herramienta.
 - ◆ Mantenga a otras personas a una distancia segura mientras la herramienta está en funcionamiento, ya que se puede accionar accidentalmente y causar lesiones.

SUMINISTRO DE AIRE Y CONEXIONES

- **El conector de la herramienta no debe tener presión cuando el suministro de aire está desconectado.** Si se utiliza un conector incorrecto, la herramienta puede permanecer cargada con aire después que se le desconecte y podría disparar un sujetador incluso con la línea de aire desconectada, causando posibles lesiones.
- **No utilice oxígeno, gases combustibles u otros gases embotellados como fuente de alimentación para esta herramienta.** Puede provocar una explosión y causar lesiones o la muerte.
- **No conecte a una compresora de aire que pueda exceder los 13,79 bar.** La herramienta podría quemarse y causar lesiones.
- **Desconecte siempre la fuente de aire:**
 - ◆ Antes de realizar ajustes.
 - ◆ Al reparar la herramienta.
 - ◆ Cuando retire un sujetador atascado.
 - ◆ Cuando la herramienta no esté en uso.
 - ◆ Cuando mueva la herramienta a un área de trabajo diferente, ya que se podría accionar accidentalmente y causar lesiones.

CÓMO CARGAR LA HERRAMIENTA

- No cargue la herramienta con sujetadores cuando alguno de los controles de funcionamiento esté activado.
- Nunca coloque una mano o cualquier parte del cuerpo en el área de descarga de los sujetadores de la herramienta.
- Nunca apunte la herramienta hacia una persona.

⚠ ADVERTENCIA:

Las advertencias y precauciones mencionadas anteriormente no cubren todas las condiciones y situaciones posibles que pudieran ocurrir. El usuario debe comprender que el sentido común y la precaución son factores que no se pueden incorporar con el producto, sino que deben ser suministrados por el usuario.

DESEMBALAJE

- Esta herramienta ha sido enviada completamente ensamblada.
- **Asegúrese de que estén incluidos todos los artículos que aparecen en la lista de empaque.**
- **Retire la herramienta y los accesorios de la caja cuidadosamente.**
- **Inspeccione cuidadosamente la herramienta para asegurarse de que no se produjo ninguna ruptura o daño durante su envío.**
- **No deseche el material de embalaje hasta que haya inspeccionado cuidadosamente y utilizado satisfactoriamente la herramienta.**
- **Si hay piezas dañadas o faltantes, llame al 1-888-669-5672.**

LISTA DE EMPAQUE

- Clavadora para pisos 3 en 1
- Caja de color
- Mazo
- Conector de aire
- Herramientas de ajuste
- Aceite lubricante
- Tapa antipolvo
- Placa base de 5/8"
- Manual de instrucciones
- Gafas de seguridad

⚠ ADVERTENCIA:

Si hay piezas dañadas o faltantes, no utilice esta herramienta hasta reemplazar dichas piezas. No hacerlo podría provocar lesiones personales graves.

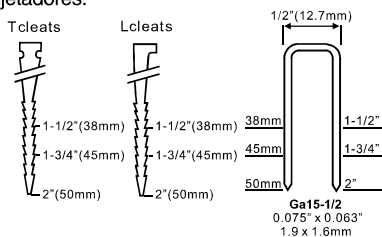
⚠ ADVERTENCIA:

No intente modificar esta herramienta ni crear accesorios que no sean los recomendados para ésta. Cualquier alteración o modificación es considerada mal uso y podría llevar a una condición peligrosa que puede causar una lesión personal grave.

CARACTERÍSTICAS

ESPECIFICACIONES

Presión de funcionamiento: 4,83-7,93 bar
 Capacidad de clavos: L: 100 pzas
 T: 100 pzas
 U: 120 pzas
 Peso de la herramienta: 4,6 kgs
 Entrada de aire: NPT DE 1/4"
 Sujetadores:



Compatible con grapas y listones en T y L de 1/2" Stanley Bostitch y de marcas genéricas.

CARACTERÍSTICAS

- **REVOLUCIONARIO DISEÑO 3 EN 1**
Para usar con grapas y listones en T y L.
- **DISEÑO que no raya**
Brinda protección a las superficies acabadas de los pisos.
- **CARGADOR DE ALUMINIO ANODIZADO**
Para una mayor durabilidad.
- **FABRICACIÓN DURADERA**
Fabricación liviana y duradera en aluminio de alta resistencia y piezas de acero con tratamiento térmico.
- **FILTRO DE AIRE**

FUNCIONAMIENTO

CÓMO CARGAR LISTONES

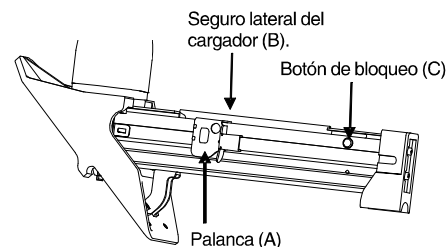
1. Jale la palanca (A) hacia el extremo del cargador. Asegure la palanca en la posición usando el botón de bloqueo (C). Luego jale hacia atrás el seguro lateral del cargador (B).
2. Coloque una carga completa de los sujetadores deseados por el lado. Se pueden cargar hasta 100 listones en el cargador. Tenga en cuenta que cuando cargue listones en L, el lado con la cabeza en L debe estar a la izquierda del seguro lateral del cargador (B). Presione el botón de bloqueo (C). La palanca (A) retrocederá y hará que el seguro lateral del cargador (B) también retroceda.

CÓMO CARGAR GRAPAS

1. Jale la palanca (A) hacia el extremo del cargador. Asegure la palanca en la posición usando el botón de bloqueo (C). Luego jale hacia atrás el seguro lateral del cargador (B).
2. Coloque una carga completa de grapas de corona de 1/2" por la parte superior del cargador. Se pueden cargar hasta 120pzas. (listones) en la herramienta.
3. Presione el botón de bloqueo (C). La palanca retrocederá (A) y hará que el seguro lateral del cargador (B) también retroceda.

⚠ ADVERTENCIA:

La herramienta puede dispararse cuando se conecte por primera vez a una fuente de aire. Siempre conecte la herramienta a la fuente de aire antes de cargar los sujetadores para prevenir lesiones causadas por ciclos accidentales. Asegúrese siempre de que el cargador de la herramienta esté vacío al comienzo de cada sesión de trabajo antes de conectar la herramienta a la fuente de aire.



CÓMO CAMBIAR LA PLACA BASE

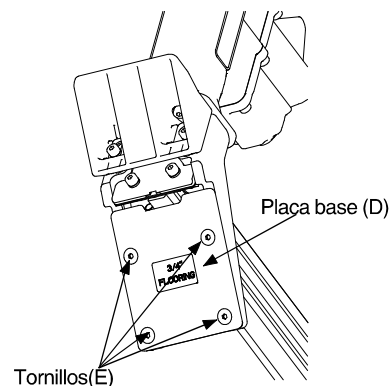
La herramienta viene equipada con una placa base (D) de 3/4" preinstalada de fábrica. También incluye una placa base adicional no instalada de 5/8".

Para cambiar la placa:

1. Desconecte la herramienta de la fuente de aire.
2. Vacíe el cargador completamente.
3. Dispare la herramienta hacia un trozo de madera que no utilice para asegurarse de que no haya aire comprimido o sujetadores en la herramienta.
4. Coloque la herramienta de lado para ver los cuatro tornillos (E).
5. Retire los cuatro tornillos (E) y luego retire la placa base.
6. Alinee los cuatro orificios de los tornillos en la placa base de repuesto con los cuatro orificios de montaje roscados.
7. Usando los cuatro tornillos que retiro, fije la placa base de repuesto a la herramienta.
8. Asegúrese de haber instalado la placa base correcta disparando la herramienta hacia un trozo de madera que no utilice y verificando la colocación adecuada del sujetador.

⚠ ADVERTENCIA:

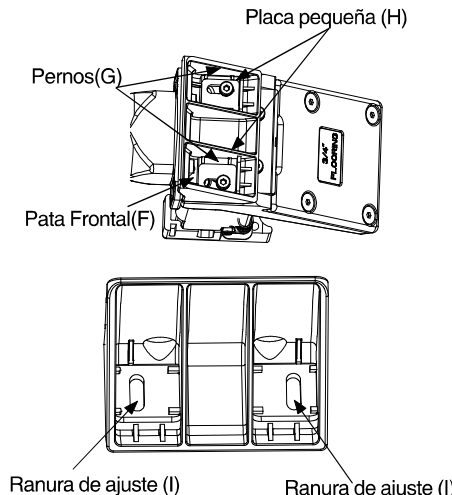
Desconecte la herramienta de la fuente de aire cada vez que cambie la placa base. Asegúrese de que no haya sujetadores en el cargador antes de cambiar la placa base.



CÓMO AJUSTAR LA PATA FRONTAL

La herramienta viene equipada con una pata frontal ajustable, la que se puede ajustar para pisos de madera de 3/4" a 5/8". Esta herramienta se envía ajustada para pisos de madera de 3/4". Para ajustar la pata frontal (F):

1. Desconecte la herramienta de la fuente de aire.
2. Vacíe el cargador completamente.
3. Dispare la herramienta hacia un trozo de madera que no utilice para asegurarse de que no haya aire comprimido o sujetadores en la herramienta.
4. Coloque la herramienta de lado para ver los dos pernos (G) y las dos placas pequeñas (H).
5. Afloje los pernos (G) y las dos placas pequeñas (H) para mover la pata frontal (F) en el espacio de la ranura de ajuste (I).
6. Ajuste la pata frontal (F) en la posición adecuada de acuerdo al grosor de los pisos de madera y luego asegure los pernos (G) y las dos placas pequeñas (H) firmemente.
7. Asegúrese de que la pata frontal sea adecuada para el piso de madera disparando la herramienta hacia un trozo de piso que no utilice y verificando la colocación adecuada del sujetador.



⚠ ADVERTENCIA:

Desconecte la herramienta de la fuente de aire cada vez que ajuste la pata frontal. Asegúrese de que no haya sujetadores en el cargador antes de ajustar la pata frontal.

CÓMO CONFIGURAR LA PRESIÓN DE AIRE

CÓMO CONFIGURAR LA PRESIÓN DE AIRE

La cantidad de presión de aire requerida dependerá del tamaño de los sujetadores y del material de la pieza de trabajo.

Comience a probar la profundidad de disparo, disparando un sujetador de prueba en el mismo tipo de material de la pieza de trabajo que ocupará.

Dispare un sujetador de prueba, con la presión de aire configurada entre 6.21-6.55 bar. Incremente o reduzca la presión del aire hasta encontrar la configuración mínima requerida para obtener resultados óptimos.

CÓMO USAR LA HERRAMIENTA

1. Conecte la herramienta a la fuente de aire. Encienda su compresor y verifique la presión, asegurándose de que esté configurada entre 4.83-7.93 bar. No exceda la presión máxima de 8.27 bar.
2. Sostenga el agarre manual (J) firmemente y presione la pata frontal (D) en la superficie de trabajo. Asegúrese de que la placa esté sobre el lugar donde desea colocar el sujetador.
3. Presione hacia abajo con fuerza para que la pata frontal entre firmemente en contacto con la superficie de trabajo. Luego, usando el mazo incluido con la herramienta, golpee la tapa del martillo (K) firmemente para disparar el sujetador en la superficie de trabajo. Levante la herramienta de la superficie de trabajo. Repita este proceso hasta que termine el trabajo.
4. Una vez que haya terminado, asegúrese de guardar la herramienta en un lugar limpio, seco y seguro, fuera del alcance de los niños y de personas no autorizadas.

⚠ ADVERTENCIA:

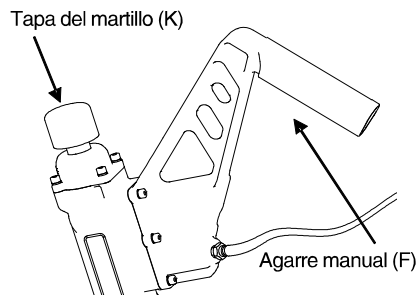
Se debe tener extrema precaución cuando esta herramienta esté conectada a una fuente de aire. Si la herramienta se cae, o si la tapa del martillo (K) se golpea accidentalmente, la herramienta disparará un sujetador, pudiendo causar una **LESIÓN PERSONAL GRAVE**.

⚠ ADVERTENCIA:

Mantenga sus pies alejados de la herramienta.

⚠ ADVERTENCIA:

Antes de usar la herramienta sobre un piso, pruebe la herramienta en un trozo de madera que no utilice. Ajuste la profundidad de disparo incrementando o reduciendo la presión de aire. Nunca exceda el máximo de 8.27 bar.



CÓMO RETIRAR SUJETADORES ATASCADOS

En ocasiones, un sujetador puede atascarse en el mecanismo de disparo, dejando la herramienta inoperante. Para retirar el sujetador atascado, siga los siguientes pasos:

1. Desconecte la herramienta de la fuente de aire.
2. Vacíe el cargador. Asegúrese de retirar todos los sujetadores.
3. Intente disparar a un trozo de madera o piso que no utilice para asegurarse de que no puede disparar ningún sujetador.
4. Coloque la herramienta de lado para ver los dos pernos (G) y las dos placas pequeñas (H) debajo de los tornillos.
5. Retire los pernos (G) y las dos placas pequeñas (H). Verá tres pernos con nariz (L) después de retirar la pata frontal (F).
6. Retire los tres pernos con nariz (L) y deslice la guía de disparo (M) hacia fuera para ver el sujetador atascado.
7. Retire el sujetador atascado usando unas pinzas o un destornillador si es necesario.
8. Vuelva a colocar la guía de disparo (M) y los pernos con nariz (L).

LUBRICACIÓN

Se requiere una lubricación frecuente, pero no excesiva, para asegurar el buen rendimiento de la herramienta. El aceite para la herramienta que se añade a través de la línea de conexión de aire lubricará las piezas internas. No use aceites detergentes o aditivos, ya que estos lubricantes desgastan de forma acelerada los sellos y los protectores de la herramienta, causando que el rendimiento de la ésta disminuya y que necesite de un mantenimiento más frecuente.

PRECAUCIÓN:

Lubrique la herramienta sólo con los lubricantes especificados.

LIMPIEZA

Evite utilizar solventes para limpiar las piezas de plástico. La mayoría de los plásticos tienden a dañarse con los distintos tipos de solventes comerciales. Utilice paños limpios para eliminar la suciedad, el polvo, el aceite, la grasa, etc.

⚠ ADVERTENCIA:

No permita nunca que líquidos para frenos, gasolina, productos a base de petróleo, aceites penetrantes, etc. entren en contacto con las piezas plásticas. Los químicos pueden dañar, debilitar o destruir el plástico, lo que puede causar lesiones personales graves.

USO EN CLIMA FRÍO

Si utiliza la herramienta en clima frío con temperaturas cercanas o inferiores a los cero grados Celsius, la humedad en la línea de aire podría congelarse e inutilizar la herramienta. Recomendamos usar un lubricante para herramientas neumáticas o un anticongelante permanente (etilenglicol) como lubricante para clima frío.

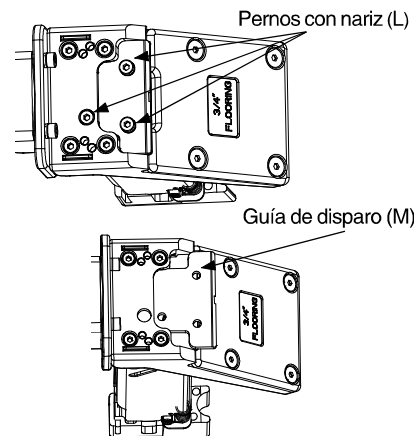
PRECAUCIÓN:

No almacene las herramientas en un entorno de clima frío para evitar que se forme escarcha y o hielo en las válvulas y mecanismos de funcionamiento de las herramientas, ya que esto podría inutilizarlas.

9. Vuelva a colocar la pata frontal (F), la placa (H) y los pernos (G) en su lugar.
10. Recargue la herramienta con sujetadores y luego vuelva a conectarla a la fuente de aire.
11. Presione la guía de disparo (M) contra un trozo de madera y dispare varios sujetadores para asegurarse de que la herramienta funciona correctamente. Si la herramienta dispara de forma adecuada, puede seguir usándola. Si la herramienta no funciona correctamente, suspenda su uso de inmediato y haga que un técnico calificado la repare.

⚠ ADVERTENCIA:

Asegúrese de que no haya sujetadores en el cargador antes de retirar un sujetador atascado.



MANTENIMIENTO

⚠ ADVERTENCIA:

Cada vez que realice una inspección, mantenimiento o limpieza:

- ◆ Desconecte la herramienta de la fuente de aire.
- ◆ Vacíe el cargador completamente.

ANTIPOLVO

Todas las herramientas FREEMAN vienen con una tapa antipolvo para el conector de aire. Revisela después de desembalarla. Mantenga la tapa antipolvo puesta sobre el conector de aire cuando la herramienta no esté en uso para evitar que entren residuos en la herramienta.

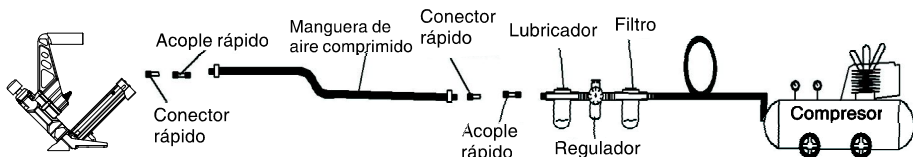
CONEXIÓN RECOMENDADA

PRECAUCIÓN:

La compresora de aire debe ser capaz de mantener un mínimo de 4,83 bar cuando la herramienta esté en uso. Un suministro inadecuado de aire puede causar el corte del suministro de electricidad y un disparo ineficaz.

⚠️ ADVERTENCIA:

No conecte a una compresora de aire que pueda exceder los 13,79 bar. La herramienta podría quemarse y causar lesiones.



SOLUCIÓN DE PROBLEMAS

PROBLEMA	CAUSA POSIBLE	ACCIONES CORRECTIVAS
Hay una filtración de aire en la tapa.	<ol style="list-style-type: none"> Los tornillos están sueltos. Hay juntas tóricas o sellos dañados o desgastados. 	<ol style="list-style-type: none"> Apriete los tornillos. Instale el kit de repuesto.
Falta potencia. El ciclo es lento.	<ol style="list-style-type: none"> La herramienta está muy seca. La presión de aire es demasiado baja. La salida de aire está bloqueada. 	<ol style="list-style-type: none"> Añada 2 ó 3 gotas de lubricante en el conector de aire. Asegúrese de que la compresora de aire este ajustada entre los 4,83-7,93 bar. Limpie la canaleta de la salida de aire.
La herramienta no dispara los sujetadores.	<ol style="list-style-type: none"> El resorte del disparador está dañado. No está usando sujetadores del tamaño apropiado. 	<ol style="list-style-type: none"> Cambie el resorte. Use grapas de corona de 12,7mm (1/2") o sujetadores 8,1mm (1-1/2") a 50,8mm (2").
Los sujetadores se atascan frecuentemente en la herramienta.	<ol style="list-style-type: none"> La canaleta de disparo está desgastada. El pistón está roto o desgastado. Los sujetadores están torcidos. El cargador está sucio. El cargador está suelto. Está utilizando los sujetadores incorrectos. 	<ol style="list-style-type: none"> Repare la canaleta de disparo. Cambie el pistón. Retire los sujetadores torcidos y reemplácelos por grapas de corona de 12,7mm (1/2") o sujetadores de 38,1mm (1-1/2") a 50,8mm (2"). Limpie el cargador. Apriete los tornillos. Verifique que los sujetadores sean del tamaño apropiado.

⚠️ ADVERTENCIA:

Use sólo piezas de repuesto autorizadas por Freeman. Si tiene preguntas llame al 1-888-669-5672 o visite nuestro sitio Web en <http://www.freemantools.com>

PIEZAS DESGASTADAS

Puede pedir piezas de repuesto en nuestro sitio Web: <http://www.freemantools.com>

FREEMAN

GARANTÍAS DE LOS PRODUCTOS PGP INC.

Garantía limitada profesional de 7 años

Esta garantía de las pistolas de clavos Freeman se extiende únicamente al comprador original de la pistola de clavos Freeman por un período de siete (7) años a partir de la fecha de compra original. PGP Inc. garantiza expresamente que la pistola de clavos Freeman no presenta defectos en los materiales ni en la mano de obra, lo que está sujeto a las excepciones y limitaciones mencionadas en la presente.

Garantía limitada profesional de 90 días

Esta garantía de las hojas, protectores, juntas tóricas, pistones, anillos de pistones y empaquetaduras (colectivamente las "Piezas de desgaste de Freeman", las que, con las pistolas de clavos Freeman, constituyen el "Producto Freeman") se extiende exclusivamente al comprador original de las Piezas de desgaste Freeman por un periodo de noventa (90) días a partir de la fecha de compra original, y cubre defectos en materiales y mano de obra.

PGP Inc. reparará o reemplazará, a su discreción, un Producto Freeman que presente un defecto en el material o la mano de obra. El comprador original debe devolver todo el Producto Freeman, con franqueo prepagado y seguro, junto con la prueba de compra, a PGP Inc. o a cualquiera de sus centros de servicio autorizados. Con excepción del costo del franqueo y del seguro, no se hará ningún otro cobro por reparaciones que cubra esta garantía.

Estas garantías no se aplican a defectos en materiales, mano de obra o daños causados por reparaciones o modificaciones que terceros realizaron o intentaron realizar ni por el uso no autorizado de piezas no conformes. Además, no se aplican si el daño es causado por el desgaste normal, el uso inadecuado, el mantenimiento inapropiado, negligencia, accidente o causado por el uso del Producto Freeman después de una falla parcial o por usarlo con accesorios inadecuados.

El Producto Freeman está diseñado para usarse por individuos y no para usarse en una línea de ensamblaje, línea de producción ni en ninguna otra aplicación industrial. Estas garantías no se extienden a dicho uso comercial y constituye un uso inadecuado del Producto Freeman.

NO SE EFECTÚA NINGUNA OTRA GARANTÍA, EXPRESA O IMPLÍCITA, ORAL O ESCRITA, PARA ESTE PRODUCTO FREEMAN, SALVO LA ANTERIORMENTE MENCIONADA. PGP INC. RECHAZA TODA GARANTÍA IMPLÍCITA DE COMERCIABILIDAD E IDONEIDAD PARA UN USO O PROPÓSITO EN PARTICULAR, ASÍ COMO TODAS LAS DEMÁS GARANTÍAS. BAJO NINGUNA CIRCUNSTANCIA PGP INC. SERÁ RESPONSABLE DE DAÑOS ACCIDENTALES, ESPECIALES, RESULTANTES O PUNITIVOS, NI DE NINGÚN COSTO, HONORARIOS DE ABOGADOS, GASTOS, PÉRDIDAS O RETRASOS DEBIDO A DAÑOS, FALLOS O DEFECTOS DE CUALQUIER PRODUCTO, LO QUE INCLUYE PERO NO SE LIMITA A RECLAMOS POR PÉRDIDAS DE GANANCIA.

Estas garantías constituyen las garantías únicas y exclusivas, expresas o implícitas, para el Producto Freeman. Ningún empleado, agente, distribuidor u otra persona tiene la autorización para modificar, aumentar o reducir los términos de estas garantías ni a otorgar ninguna otra garantía a nombre de PGP Inc. Estas garantías limitadas expresas contienen todo el acuerdo con relación a las garantías expresas e implícitas relacionadas al Producto Freeman. Ningún escrito o expresión en la orden de compra ni en ningún otro documento debe considerarse con una adición o modificación de las garantías de PGP Inc. del Producto Freeman.

Todo lo relacionado con la venta o uso del Producto Freeman que sea objeto de estas garantías limitadas, junto con la elaboración y refuerzo de los términos de dichas garantías limitadas, debe estar sujeto a las leyes del estado de Georgia. Todo problema relacionado a la venta o al uso del Producto Freeman que sea objeto de estas garantías limitadas se debe traer al condado Cherokee, Georgia. La compra o uso de un Producto Freeman le otorga los beneficios y las limitaciones de estas garantías limitadas. Por ello, cualquier escrito, decisión judicial o cumplimiento obtenido de una jurisdicción, condado, subdivisión de condado, corte estatal o federal u otro país, que no sea del foro identificado anteriormente, será nulo e inaplicable.

MODELO: PDX50C



para PGP Inc.

Algunos estados no permiten limitaciones sobre la duración de una garantía implícita, de modo que las limitaciones antes descritas puede que no se apliquen en su caso. Algunos estados no permiten la exclusión o limitación de los daños accidentales o resultantes, de modo que la exclusión o limitación anterior puede no aplicarse en su caso.

Si algún término o limitación contenida en esta garantía limitada se considera no aplicable según la ley, entonces dicho término debe ser retirado de las partes restantes de las garantías limitadas que permanecen aplicables.

Estas garantías están sujetas a cambio sin previo aviso.

FREEMAN

MODÈLE : PDX50C

**CLOUEUSE POUR REVÊTEMENTS
DE SOL 3 EN 1
POUR LES AGRAFES ET LES CLOUS À TÊTE EN T
ET À TÊTE EN L**

- [HTTP://WWW.FREEMANTOOLS.COM](http://www.freemantools.com)
- 1-888-669-5672
- PRIME GLOBAL PRODUCTS, INC.



AVERTISSEMENT:

Le non-respect de ces avertissements peut entraîner des BLESSURES GRAVES OU LA MORT.

VEUILLEZ CONSERVER CE GUIDE POUR VOUS Y RÉFÉRER ULTÉRIEUREMENT.

RÈGLES DE SÉCURITÉ GÉNÉRALES	P23
DÉBALLAGE	P25
CARACTÉRISTIQUES	P26
FONCTIONNEMENT	
CHARGEMENT DES CLOUS	P26
CHARGEMENT DES AGRAFES	P26
REPLACEMENT DE LA PLAQUE D'ASSISE	P27
RÉGLAGE DU PIED AVANT	P27
RÉGLAGE DE LA PRESSION D'AIR	P28
FONCTIONNEMENT DE L'OUTIL	P28
NETTOYAGE DES BLOCAGES	P28
ENTRETIEN	P29
RACCORDEMENT RECOMMANDÉ	P30
DÉPANNAGE	P30
PIÈCES D'USURE	P31
GARANTIES	P31



AVERTISSEMENT:

Les avertissements et les misés en garde qui font l'objet de discussions dans le manuel ne peuvent pas traiter de toutes les conditions et situations qui pourraient survenir. L'utilisateur doit comprendre que la prudence et le bon sens sont des facteurs qui ne peuvent pas s'intégrer à ce produit; il doit en faire preuve lui-même.

CONSERVEZ CE MANUEL

- Conservez ce manuel, il contient des avertissements, des consignes de sécurité, un mode d'emploi et des directives pour les inspections et l'entretien. Conservez ce manuel et le reçu dans un endroit sécuritaire et sec pour vous y référer ultérieurement.

AVERTISSEMENT:

Pour prévenir les blessures graves, ne tentez pas d'utiliser ce produit avant d'avoir lu le manuel attentivement et de l'avoir bien compris. Conservez ce manuel, et consultez-le souvent pour continuer d'utiliser cet outil de façon sécuritaire et donner des directives aux autres qui pourraient s'en servir.

SYMBOLS

- Dans ce manuel, sur les étiquettes, les emballages et tous les autres renseignements fournis avec cet outil. Les mots indicateurs suivants et leurs significations servent à expliquer les niveaux de risque associés à cet outil.

SYMBOLES	MOT INDICATEUR	SENS
	AVERTISSEMENT:	Indique un risque potentiel pouvant entraîner la mort ou des blessures sérieuses s'il n'est pas prévenu.
	MISE EN GARDE:	Cette mention indique un risque potentiel qui, s'il n'est pas éliminé, pourrait provoquer des blessures mineures.
	MISE EN GARDE:	(Aucun symbole) Indique une situation qui pourrait entraîner des dommages matériels.

RÈGLES DE SÉCURITÉ GÉNÉRALES

INSTRUCTIONS RELATIVES AU RISQUE D'INCENDIE, À L'ÉLECTROCUTION OU AU RISQUE DE BLESSURES

AVERTISSEMENT

Lors de l'utilisation des outils, il est toujours essentiel de suivre les mesures de sécurité de base, y compris celles qui suivent:

PROPOSITION 65 DE LA CALIFORNIE

AVERTISSEMENT

Cet outil ou son cordon d'alimentation peut contenir des produits chimiques reconnus par l'État de Californie comme causant des cancers et des malformations congénitales ou comme étant nocifs au système reproducteur. **Se laver les mains après la manipulation.**

AIRE DE TRAVAIL

- **Gardez l'aire de travail propre et bien éclairée.** Un établi encombré et peu éclairé augmente les risques d'accident.
- **N'utilisez pas l'outil dans un milieu explosif, par exemple où il y a présence de liquides, de vapeurs ou de poussières inflammables.** L'outil produit des étincelles pouvant causer un incendie en raison des liquides, des vapeurs ou de la poussière inflammables.
- **Gardez les gens, les enfants et tous les autres éloignés à l'écart lorsque vous utilisez l'outil.** Une distraction pourrait causer un usage inadéquat risquant d'entraîner des blessures.

- **Évitez les ratés d'allumage accidentels. Faites toujours attention pour éviter d'allumer un incendie accidentellement.** Ne le pointez pas vers vous ni vers personne d'autre, que l'outil soit chargé de fixations ou non.

SÉCURITÉ PERSONNELLE

- **Portez toujours des lunettes de sécurité.** L'opérateur et tous les autres qui se trouvent dans l'aire de travail doivent toujours porter des lunettes de sécurité conformes à la norme ANSI pourvues d'écrans latéraux. Le port de lunettes de sécurité vise à protéger contre les fixations et débris projetés qui pourraient causer de graves blessures aux yeux. Vous pouvez utiliser les lunettes emballées avec l'outil.
- **Portez toujours des protecteurs auditifs lorsque vous utilisez l'outil.** Une exposition prolongée à un bruit de grande intensité peut entraîner une perte auditive.
- **Utilisez de l'équipement de sécurité.** Un masque antipoussière, des chaussures de sécurité antidérapantes et un casque de protection doivent être portés lorsque les conditions l'exigent. Portez un écran facial panoramique si vous produisez des limailles métalliques ou des copeaux de bois.
- **Habillez-vous convenablement.** Ne portez pas de vêtements amples ni de bijoux. Attachez vos cheveux s'ils sont longs. Gardez vos cheveux, vos vêtements et vos gants loin des pièces mobiles. Les vêtements amples, les bijoux et les cheveux longs risquent de se prendre dans les pièces mobiles.
- **Soyez vigilant, prêtez attention à ce que vous faites et usez de votre jugement lorsque vous utilisez un outil électrique.** N'utilisez pas l'outil lorsque vous êtes fatigué ou sous l'effet de drogues, d'alcool ou de médicaments. Un moment d'inattention

pendant que vous utilisez l'outil pourrait causer de graves blessures.

- **Conservez en tout temps un bon équilibre.** Un bon équilibre vous permet de mieux maîtriser l'outil lorsque des situations inattendues se présentent. N'utilisez pas ce produit en vous tenant sur une échelle ou sur d'autres surfaces instables. Un équilibre stable sur une surface solide permet de mieux maîtriser l'outil lorsque des situations inattendues se présentent.
- **Assurez-vous que rien ne bloque le tuyau et qu'il n'accroche nulle part.** Des tuyaux emmêlés ou enchevêtrés pourraient causer une perte d'équilibre ou de la position et pourraient s'endommager, ce qui pourrait causer des blessures.

UTILISATION ET ENTRETIEN DE L'OUTIL

- **Sachez bien comment utiliser l'outil.** Lisez attentivement le manuel, assurez-vous de connaître le fonctionnement et les restrictions de cet outil ainsi que les dangers potentiels liés à son utilisation.
- **N'utilisez que les fixations qui sont recommandées pour vos modèles.** N'utilisez pas les mauvaises fixations et ne les chargez pas incorrectement dans l'outil.
- **Vérifiez les pièces mobiles pour vous assurer qu'elles ne sont pas désalignées, enrayées, brisées, ou dans un quelconque état qui pourrait nuire à leur fonctionnement.** Si elles sont endommagées, faites-les réparer avant d'utiliser l'outil. De nombreux accidents sont provoqués par des outils mal entretenus.
- **Entretenez soigneusement l'outil. Assurez-vous que l'outil est toujours propre.** Un outil bien entretenu risque moins de s'enrayer et est plus facile à maîtriser.
- **Rangez les outils hors de la portée des enfants et d'autres personnes qui ne savent pas s'en servir.** Les outils sont dangereux s'ils se retrouvent entre les mains d'utilisateurs qui ne savent pas s'en servir.
- **Vérifiez si l'outil fonctionne avant de l'utiliser.** Si le mécanisme de déclenchement par contact de la pièce avec laquelle vous travaillez ne fonctionne pas bien, ne l'utilisez pas, car une fixation pourrait être éjectée accidentellement.
- **Évitez de forcer l'outil.** Utilisez l'outil approprié à l'utilisation que vous envisagez. Avec l'outil approprié, vous obtiendrez de meilleurs résultats et assurerez votre sécurité si vous

l'utilisez au débit pour lequel l'outil est conçu.

- **Utilisez des pinces ou tout autre moyen pratique pour fixer et supporter la pièce sur une plateforme stable.** Tenir un outil dans sa main ou contre son corps est instable et pourrait causer une perte de maîtrise.
- **Gardez l'outil et sa poignée secs, propres et exempts d'huile et de graisse.** Utilisez toujours un linge propre pour le nettoyage. N'utilisez jamais de liquide de frein, d'essence, de produits à base de pétrole ou de solvants forts pour nettoyer l'outil.
- **Ne vous servez pas de l'outil comme d'un marteau.**
- **N'utilisez jamais cet outil de manière à ce que la fixation soit orientée dans une autre direction que la pièce avec laquelle vous travaillez.**
- **Tenez toujours l'outil par la poignée. Ne le tenez jamais par le tuyau à air.**
- **N'utilisez pas l'outil si de l'air fuit ou s'il ne fonctionne pas convenablement.**
- **N'utilisez pas l'outil si aucune étiquette d'avertissement lisible n'y est apposée.**

RÉPARATION DE L'OUTIL

- **N'utilisez que les accessoires recommandés par le fabricant pour ce modèle d'outil.**
- **L'utilisation de pièces non autorisées et le non-respect des instructions d'entretien peuvent entraîner des blessures.**
- **N'utilisez que les lubrifiants fournis avec l'outil ou recommandés par le fabricant.**
- **Toute réparation doit être effectuée par un technicien qualifié.**

FONCTIONNEMENT

- **N'enfoncez pas de fixations près du rebord d'un matériau.** La fixation pourrait passer à travers de la pièce ou ricocher, ce qui pourrait blesser quelqu'un se trouvant à proximité ou vous-même.
- **Évitez de poser des fixations les unes sur les autres ou lorsque l'angle de l'outil est trop accentué : elles pourraient dévier et entraîner une blessure.**
- **Ne mettez l'outil en marche que si vous avez l'intention d'utiliser une fixation sur une pièce sur laquelle vous travaillez.**
- **Manipulez toujours l'outil avec soin :**
 - ◆ Respectez l'outil. Il s'agit d'un instrument de travail.
 - ◆ Ne vous amusez pas avec l'outil.
 - ◆ Gardez les autres à une distance sécuritaire

de l'outil pendant qu'il fonctionne, étant donné qu'une activation accidentelle pourrait se produire et entraîner une blessure.

ALIMENTATION D'AIR ET RACCORDS

- **Le raccord de l'outil ne doit pas retenir la pression lorsque l'alimentation en air est débranchée.** Si un mauvais raccord est utilisé, il est possible que l'outil demeure chargé d'air après la déconnexion; il pourrait donc enfoncer une fixation même après la déconnexion de la conduite d'air, ce qui pourrait entraîner une blessure.
- **N'utilisez pas d'oxygène, de gaz combustibles ni d'autres gaz embouteillés comme source d'alimentation pour cet outil.** Une explosion pourrait se produire et causer des blessures ou même la mort.
- **Ne raccordez jamais l'outil à un compresseur qui risque de dépasser 90,80 kg par po² (200 psi).**
- **L'outil pourrait exploser et potentiellement causer des blessures.**
Débranchez toujours l'alimentation en air :
 - ◆ Avant de faire des ajustements.
 - ◆ Lorsque vous réparez l'outil.
 - ◆ Lorsque vous nettoyez un blocage.
 - ◆ Lorsque personne n'utilise l'outil.
 - ◆ Lorsque vous vous déplacez vers une autre aire de travail, puisque l'outil pourrait se déclencher accidentellement et causer des blessures.

CHARGEMENT DE L'OUTIL

- **Ne chargez pas l'outil avec des fixations si un des contrôles d'utilisation est activé.**
- **Ne mettez jamais une main ni aucune autre partie du corps près de l'endroit de sortie des fixations de l'outil.**
- **Ne pointez jamais l'outil vers personne.**

⚠ AVERTISSEMENT:

Ne tentez pas de modifier cet outil ou de créer des accessoires dont l'utilisation n'est pas recommandée avec cet outil. Une telle utilisation ou modification est considérée comme une utilisation abusive et risque de créer une situation dangereuse pouvant entraîner des blessures graves.

DÉBALLAGE

- Cet outil est entièrement assemblé avant son expédition.
- Assurez-vous que tous les éléments inscrits sur la liste de l'emballage sont inclus. Retirez soigneusement l'outil et tous les accessoires de la boîte.
- Examinez attentivement l'outil pour vous assurer qu'il ne s'est pas brisé ou endommagé durant le transport.
- Ne jetez pas le matériel d'emballage avant d'avoir bien vérifié l'outil et vous être assuré qu'il fonctionnait bien.
- S'il y a des pièces manquantes ou endommagées, veuillez composer le 1-888-669-5672.

LISTE D'EMBALLAGE

Cloueuse pour revêtements de sol 3 en 1
 Boîte de couleurs
 Maillet
 Connecteur d'air
 Outils de réglage
 Lubrifiant
 Capuchon antipoussière
 Plaque d'assise de 1,59 cm
 Manuel d'instructions
 Lunettes de sécurité

⚠ AVERTISSEMENT:

S'il y a des pièces manquantes, n'utilisez pas cet outil avant qu'elles soient remplacées. Sinon, vous risquez de vous blesser gravement.

⚠ AVERTISSEMENT:

Ne tentez pas de modifier cet outil ou de créer des accessoires qui ne sont pas recommandés pour cet outil. Toute modification est considérée comme un usage inapproprié et pourrait occasionner des risques allant jusqu'à des blessures graves.

CARACTÉRISTIQUES

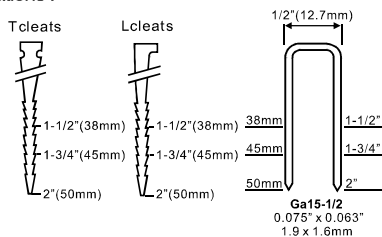
PROPRIÉTÉS

Pression de fonctionnement : 482,6-792,9 kPa
Capacité de clous : L : 100 pièces
T : 100 pièces

U : 120 pièces

Poids de l'outil : 4,6 kg
Entrée d'air : NPT de 0,63 cm

Fixations :



Compatible avec les agrafes, les clous à tête en T et à tête en L de 1,27 cm Stanley Bostitch et de marques génériques.

CARACTÉRISTIQUES

● CONCEPT 3 EN 1 RÉVOLUTIONNAIRE

À utiliser avec les agrafes, les clous à tête en T et à tête en L.

● CONCEPT N'ÉRAFLANT PAS LES PRODUITS

Procure une protection lorsque vous travaillez sur des surfaces de revêtement de sol finies.

● MAGASIN EN ALUMINIUM ANODISÉ

Pour une excellente durabilité.

● FABRICATION DURABLE

Léger et durable, construit d'aluminium de haute résistance et de pièces en acier traitées thermiquement.

● FILTRE À AIR

Permet d'éviter que des débris se retrouvent dans les composants intérieurs et de prolonger la durabilité de l'outil.

● MAILLET INCLUS

FONCTIONNEMENT

CHARGEMENT DES CLOUS

1. Tirez le poussoir (A) jusqu'à l'extrémité du magasin. Fixez le poussoir en place à l'aide du bouton de verrouillage (C). Ensuite, tirez sur le protecteur latéral du magasin (B) pour le remettre en place.
2. Placez un ensemble complet des fixations souhaitées dans le magasin en passant par le côté. Il est possible de charger jusqu'à 100 clous

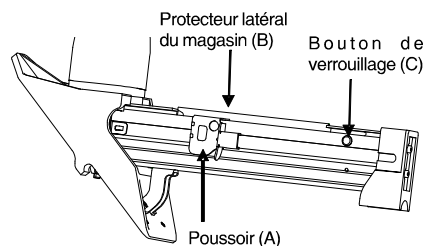
dans le magasin. Prenez note qu'en chargeant les clous à tête en L, le côté en L de la tête doit être placé du côté gauche du protecteur latéral du magasin (B). Appuyez sur le bouton de verrouillage (C); le poussoir (A) se remettra alors en place pour permettre au protecteur latéral du magasin (B) de glisser vers le bas pour se remettre en position.

CHARGEMENT DES AGRAFES

1. Tirez le poussoir (A) jusqu'à l'extrémité du magasin. Fixez le poussoir en place à l'aide du bouton de verrouillage (C). Ensuite, tirez sur le protecteur latéral du magasin (B) pour le remettre en place.
2. Placez un ensemble complet d'agrafes à couronne de 1,27 cm dans le magasin en passant par le haut. Il est possible de charger jusqu'à 120 pièces dans l'outil.
3. Appuyez sur le bouton de verrouillage (C); le poussoir (A) se remet alors en place pour permettre au protecteur latéral du magasin (B) de glisser vers le bas pour se remettre en position.

▲ AVERTISSEMENT:

L'outil pourrait se déclencher la première fois qu'il est branché à l'alimentation en air. Branchez toujours l'outil à l'alimentation en air avant de charger les fixations afin d'éviter des blessures dues à un déclenchement imprévu. Assurez-vous toujours que le magasin de l'outil est vide avant chaque séance de travail, avant de le brancher à l'alimentation en air.



REPLACEMENT DE LA PLAQUE D'ASSISE

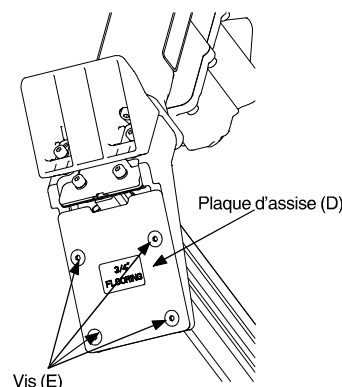
L'outil est muni d'une plaque d'assise (D) de 1,91 cm préinstallée en usine. Il y a une plaque d'assise supplémentaire de 1,59 cm.

Pour remplacer la plaque :

1. Déconnectez l'outil de l'alimentation en air. Videz entièrement le magasin.
2. Déclenchez l'outil en visant des retailles de bois pour vous assurer qu'il n'y reste pas d'air comprimé ou de fixations.
3. Posez l'outil sur le côté de manière à ce que les quatre vis soient visibles (E).
4. Retirez les quatre vis (E), puis la plaque d'assise.
5. Alignez les quatre trous des vis de la plaque d'assise de recharge avec les quatre trous de montage filetés.
6. À l'aide des quatre vis que vous venez de retirer, fixez la plaque d'assise de remplacement sur l'outil.
7. Assurez-vous que la bonne plaque d'assise est installée en la déclenchant en tirant vers des retailles de bois du revêtement de sol et
8. En vérifiant si la fixation est placée convenablement.

▲ AVERTISSEMENT:

Débranchez l'outil de la source d'air lorsque vous remplacez la plaque d'assise. Assurez-vous qu'il n'y a aucune fixation dans le magasin avant de remplacer la plaque d'assise.

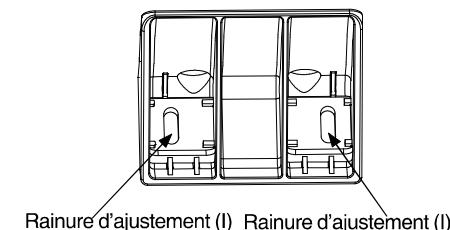
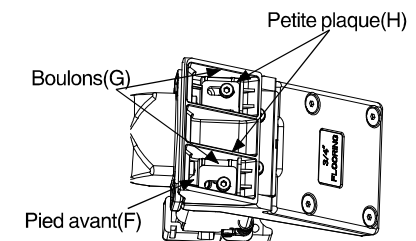


RÉGLAGE DU PIED AVANT

L'outil est muni d'un pied avant réglable qui est ajustable pour les planchers en bois de 1,91 cm ou de 1,59 cm. L'outil est réglé pour les planchers en bois de 1,91 cm avant d'être expédié.

Pour régler le pied avant (F) :

1. Débranchez l'outil de l'alimentation en air.
2. Videz entièrement le magasin.
3. Déclenchez l'outil en visant des retailles de bois pour vous assurer qu'il n'y reste pas d'air comprimé ou de fixations.
4. Posez l'outil sur le côté de manière à ce que les deux boulons (G) et les deux petites plaques (H) soient visibles.
5. Desserrez ces deux boulons (G) et les deux petites plaques (H) pour déplacer le pied avant (F) dans la portée de la rainure d'ajustement (I).
6. Ajustez la position du pied avant (F) pour qu'elle soit adéquate en fonction de l'épaisseur réelle des planchers de bois, puis fixez les deux boulons (G) et les deux petites plaques (H) fermement.
7. Assurez-vous que le bon pied avant convient pour le plancher de bois en le déclenchant en direction des retailles du revêtement de sol en bois et vérifiez si la fixation est placée convenablement.



▲ AVERTISSEMENT:

Débranchez l'outil de la source d'air lorsque vous ajustez le pied avant. Assurez-vous qu'il n'y a aucune fixation dans le magasin avant d'ajuster le pied avant.

RÉGLAGE DE LA PRESSION D'AIR

La pression d'air requise dépend de la dimension des fixations et du matériau de la pièce avec laquelle vous travaillez.

Commencez par évaluer la profondeur en enfonçant un clou d'essai dans un matériau du même type que celui que vous utiliserez lorsque vous travaillerez réellement.

Enfoncez une fixation d'essai avec une pression d'air de 413,7kPa - 689,5kPa. Haussez et baissez la pression d'air pour trouver le plus bas réglage pour effectuer la tâche avec des résultats

FONCTIONNEMENT DE L'OUTIL

1. Raccordez l'outil à l'alimentation en air. Mettez votre compresseur en marche et vérifiez la pression en vous assurant qu'elle se situe entre 482,6kPa-792,9kPa. Ne dépassez pas la puissance maximale de 889,4kPa.
2. Tenez fermement la poignée (J) et appuyez sur la plaque d'assise (D) contre la surface de travail. Assurez-vous que la plaque est au-dessus de la position de la cible de la fixation.
3. Appuyez solidement vers le bas de manière à ce que la plaque d'assise soit fermement en contact avec la surface de travail. Ensuite, à l'aide du maillet emballé avec l'outil, frappez fermement sur le capuchon du marteau (K) pour enfoncer la fixation dans la surface de travail. Soulevez l'outil pour le décoller de la surface de travail. Répétez ces étapes jusqu'à ce que la tâche soit terminée.
4. Lorsque vous avez terminé, assurez-vous de ranger l'outil dans un endroit propre, sec et sécuritaire hors de la portée des enfants et des personnes non autorisées.

⚠ AVERTISSEMENT:

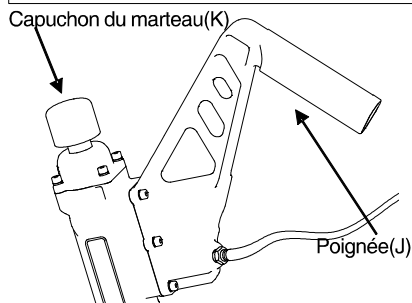
Vous devez faire preuve d'une extrême prudence lorsque cet outil est raccordé à une source d'alimentation en air. Si l'outil tombe par terre, ou si le capuchon du marteau (K) est frappé accidentellement, l'outil se déclenchera et tirera une fixation, ce qui pourrait causer de GRAVES BLESSURES.

⚠ AVERTISSEMENT:

Gardez l'outil loin de vos pieds.

⚠ AVERTISSEMENT:

Avant d'utiliser l'outil sur un plancher, essayez-le sur des retailles de bois. Réglez la profondeur d'enfoncement en augmentant ou en baissant la pression d'air. Ne dépassez jamais 889,4kPa.



NETTOYAGE DES BLOCAGES

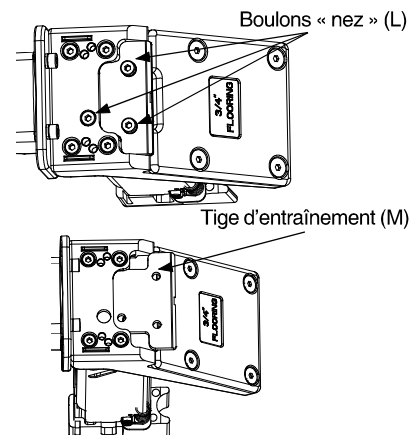
Il arrive parfois qu'une fixation se coince dans le mécanisme de déclenchement de l'outil, ce qui le rend inutilisable. Pour retirer une fixation bloquée, suivez les étapes suivantes :

1. Débranchez l'outil de l'alimentation en air.
2. Videz le magasin. Assurez-vous que toutes les fixations sont retirées.
3. Tentez de déclencher l'outil en l'orientant vers des retailles de bois ou le plancher pour vous assurer qu'il ne peut tirer de fixations.
4. Posez l'outil sur le côté de manière à ce que les deux boulons (G) et les deux petites plaques (H) soient sous les vis.
5. Retirez ces deux boulons (G) et les deux petites plaques (H). Trois boulons « nez » (L) sont visibles après le retrait du pied avant (F).
6. Retirez les trois boulons « nez » (L), glissez la tige d'entraînement (M) à l'extérieur pour sortir la fixation coincée.
7. Retirez la fixation coincée; utilisez des pinces ou un tournevis au besoin.
8. Remettez la tige d'entraînement (M) et les boulons « nez » (L) en place.
9. Remettez le pied avant (F), la plaque (H) et le boulon (G) en place.
10. Rechargez l'outil avec des fixations, puis rebranchez l'alimentation en air à l'outil.
11. Appuyez la tige d'entraînement (M) contre un bout de bois, puis tirez plusieurs coups d'essai avec les fixations pour vérifier si l'outil fonctionne bien. Si l'outil tire bien, vous pouvez

continuer de l'utiliser. Si l'outil ne fonctionne pas adéquatement, arrêtez immédiatement de l'utiliser et faites-le réparer par un technicien qualifié en réparation.

⚠ AVERTISSEMENT:

Assurez-vous qu'il n'y a aucune fixation dans le magasin avant de nettoyer un blocage.



ENTRETIEN

⚠ AVERTISSEMENT:

Chaque fois qu'une inspection, de l'entretien et un nettoyage sont effectués :

- ◆ Débranchez l'outil de l'alimentation en air.
- ◆ Videz entièrement le magasin.

ANTIPOUSSIÈRE

L'emballage de chaque outil FREEMAN contient un capuchon antipoussière sur le connecteur d'air, vérifiez-le après le déballage. Laissez le capuchon en place sur le connecteur d'air lorsque l'outil n'est pas utilisé afin d'éviter que des débris s'y introduisent.

LUBRIFICATION

Une lubrification fréquente, sans être excessive, est requise pour un rendement optimal. L'huile pour l'outil ajouté par le raccord de la conduite d'air permet de lubrifier les pièces internes. N'ajoutez pas d'huile détergente ni d'autres additifs : ces lubrifiants

accéléraient l'usure des joints et des butoirs de l'outil, ce qui nuirait à son rendement et augmenterait la fréquence des entretiens.

MISE EN GARDE :

Lubrifiez l'outil uniquement avec les lubrifiants indiqués.

NETTOYAGE

Évitez d'utiliser des solvants lorsque vous nettoyez des pièces en plastique. La plupart des plastiques risquent d'être endommagés par divers types de solvants commerciaux et leur utilisation pourrait les endommager. Utilisez des linges propres pour enlever la saleté, la poussière, l'huile, la graisse, etc.

⚠ AVERTISSEMENT:

Ne laissez jamais de liquide de frein, d'essence, de produits à base de pétrole, d'huile pénétrante, etc., entrer en contact avec des pièces de plastique. Les produits chimiques risquent d'endommager, d'affaiblir ou de détruire le plastique, ce qui pourrait causer de graves blessures.

UTILISATION PAR TEMPÉRATURE FROIDE

Si vous utilisez l'outil lorsque la température est froide, près du point de congélation ou en dessous, l'humidité de la conduite d'air pourrait geler et empêcher le bon fonctionnement de l'outil. Nous vous recommandons d'utiliser du lubrifiant pour outil pneumatique ou un antigel permanent (éthylène glycol) comme lubrifiant lorsque les températures sont froides.

MISE EN GARDE:

Ne rangez pas d'outils dans un milieu froid pour prévenir la formation de gel ou de glace sur les valves et les mécanismes qui permettent le fonctionnement de l'outil, ce qui pourrait l'empêcher de fonctionner.

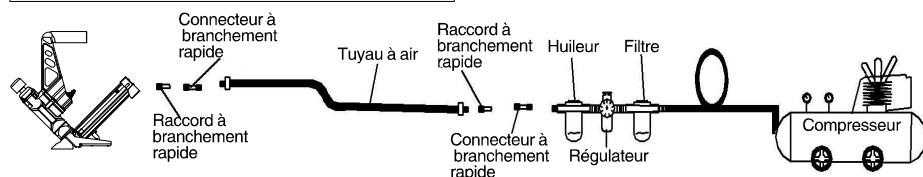
RACCORDEMENT RECOMMANDÉ

MISE EN GARDE:

Le compresseur d'air doit pouvoir maintenir une pression minimale de 482,63kPa lorsque l'outil est utilisé. Une alimentation inadéquate en air pourrait entraîner une perte d'énergie et un fonctionnement irrégulier.

▲ AVERTISSEMENT:

Ne raccordez jamais l'outil à un compresseur qui risque de dépasser 1378,95kPa. L'outil pourrait exploser et potentiellement causer des blessures.



DÉPANNAGE

PROBLÈME	CAUSE POSSIBLE	MESURES À PRENDRE
De l'air fuit par le chapeau à tête.	<ol style="list-style-type: none"> 1. Desserrez les vis. 2. Les joints toriques ou les joints sont usés ou endommagés. 	<ol style="list-style-type: none"> 1. Serrez les vis. 2. Installez une trousse de remise en état.
Manque d'énergie. Le cycle est lent.	<ol style="list-style-type: none"> 1. L'outil est trop sec. 2. La pression d'air est trop faible. 3. L'échappement est bloqué. 	<ol style="list-style-type: none"> 1. Ajoutez 2 ou 3 gouttes de lubrifiant dans le connecteur d'air. 2. Assurez-vous que le compresseur d'air est réglé entre 482,6-792,9kPa. 3. Nettoyez la conduite d'évacuation d'air.
Les fixations ne s'éjectent pas.	<ol style="list-style-type: none"> 1. Le ressort du poussoir est endommagé. 2. Les fixations ne sont pas de la bonne dimension. 	<ol style="list-style-type: none"> 1. Remplacez le ressort. 2. Utilisez des agrafes à couronne de 1,27 cm ou des clous de 1,27 à 2,54 cm.
Les fixations restent souvent coincées dans l'outil.	<ol style="list-style-type: none"> 1. La conduite d'entraînement est usée. 2. Le piston est brisé ou usé. 3. Les fixations ne sont pas droites. 4. Le magasin est sale. 5. Le magasin est desserré. 6. Les fixations ne sont pas les bonnes. 	<ol style="list-style-type: none"> 1. Réparez la conduite d'entraînement. 2. Remplacez le piston. 3. Retirez les fixations qui ne sont pas droites et remplacez-les par des agrafes à couronne de 1,27cm ou des clous de 1,27 à 2,54 cm. 4. Nettoyez le magasin. 5. Serrez les vis. 6. Vérifiez que les fixations sont de la bonne dimension.

▲ AVERTISSEMENT:

N'utilisez que des pièces autorisées par Freeman pour la réparation. Si vous avez des questions, composez le 1-888-669-5672 ou allez sur notre site Web au <http://www.freemantools.com>

PIÈCES D'USURE

Des pièces de rechange peuvent être commandées sur notre site Web : <http://www.freemantools.com>

FREEMAN

GARANTIES DES PRODUITS PGP INC.

Garantie limitée professionnelle de sept ans

La garantie des cloueuses Freeman est exclusivement offerte à l'acheteur initial du produit pour une durée de sept (7) ans à compter de la date d'achat originale. PGP Inc. garantit expressément que la cloueuse Freeman ne présentera aucun défaut de matériaux ou de fabrication, sous réserve des exceptions et des limitations contenues dans les présentes.

Garantie limitée professionnelle de 90 jours

La garantie des lames d'entraînement, des butoirs, des joints toriques, des pistons, des bagues de piston et des garnitures de piston de PGP Inc. (les « pièces d'usure Freeman » qui, avec les cloueuses Freeman, forment le « produit Freeman ») est exclusivement offerte à l'acheteur initial des pièces d'usure Freeman pour une durée de quatre-vingt-dix (90) jours à compter de la date d'achat originale et couvre les défauts de matériaux ou de fabrication.

PGP Inc. choisira, à sa discrétion, de réparer ou de remplacer les produits Freeman présentant un défaut de matériaux ou de fabrication. L'acheteur initial devra retourner le produit Freeman en entier, port payé et dûment assuré, accompagné d'une preuve d'achat, à PGP Inc. ou à n'importe lequel de ses centres de service autorisés. Outre les exigences liées à l'affranchissement et à l'assurance, l'acheteur n'engagera aucuns frais pour les réparations couvertes par cette garantie.

Ces garanties ne s'appliquent pas aux défauts de matériaux ou de fabrication et aux dommages découlant de réparations ou de modifications effectuées ou tentées par un tiers, ou d'une utilisation non autorisée de pièces non conformes. Elles ne s'appliquent pas non plus si les dommages sont dus à l'usure normale, à un usage abusif, à un entretien inadéquat, à une négligence ou à un accident, ou s'ils ont été causés par l'utilisation du produit Freeman après une défaillance partielle ou avec des accessoires inappropriés. Le produit Freeman est conçu pour une utilisation par des individus; il ne convient pas à une utilisation sur une chaîne de montage ou une chaîne de production, ni pour toute autre application commerciale. Ces garanties ne couvrent pas une telle utilisation commerciale, car celle-ci constituerait un usage abusif du produit Freeman.

AUCUNE GARANTIE AUTRE QUE LA GARANTIE CI-DESSUS, QU'ELLE SOIT VERBALE OU ÉCRITE, EXPRESSE OU IMPLICITE, N'EST ACCORDÉE POUR CE PRODUIT FREEMAN. PGP INC. DÉCLINE TOUTE GARANTIE IMPLICITE DE QUALITÉ MARCHANDE OU D'ADÉQUATION À UN USAGE OU UN BUT PARTICULIER, DE MÊME QUE TOUTE AUTRE GARANTIE. PGP INC. NE SAURAIT EN AUCUN CAS ÊTRE TENUE RESPONSABLE DES DOMMAGES ACCESSOIRES, SPÉCIAUX, CONSÉCUTIFS OU PUNITIFS, NI DES COÛTS, HONORAIRES D'AVOCAT, DÉPENSES, PERTES OU DÉLAIS PRÉTENDUMENT CAUSÉS PAR DES DOMMAGES, DÉFAILLANCES OU DÉFAUTS DE TOUT PRODUIT, Y COMPRIS, SANS S'Y LIMITER, TOUTE RÉCLAMATION POUR DES PERTES DE PROFITS.

Aucune autre garantie expresse ou implicite n'est consentie pour le produit Freeman. Aucun employé, agent, détaillant ou autre n'est autorisé à modifier les termes de ces garanties ou à en étendre ou en réduire la portée, ni à offrir toute autre garantie au nom de PGP Inc. Ces garanties limitées expresses contiennent

l'intégralité de l'entente relative aux garanties expresses et implicites liées au produit Freeman. Aucune inscription ni aucun libellé du bon de commande ou de tout autre document ne saurait être interprété comme un ajout ou une modification des garanties de PGP Inc. pour le produit Freeman.

Toute question liée à la vente ou à l'utilisation du produit Freeman faisant l'objet de ces garanties limitées ou à l'interprétation et à l'application des termes de ces garanties limitées sera soumise aux lois de l'État de Géorgie. Tout différend découlant de la vente ou de l'utilisation du produit Freeman faisant l'objet de ces garanties limitées sera soumis au comté de Cherokee, en Géorgie. L'achat ou l'utilisation du produit Freeman vous assujettit aux avantages et aux limitations stipulés par ces garanties limitées. Par conséquent, toute assignation, tout jugement ou toute autre imposition provenant du tribunal d'une juridiction, d'un comté, d'une paroisse, d'un État, d'une province ou d'un pays autre que l'autorité mentionnée ci-dessus sera nul et inexécutable.

Certains États ou certaines provinces ne permettent pas de limitations quant à la durée des garanties implicites, de sorte que les limitations indiquées ci-dessus peuvent ne pas s'appliquer à vous. Certains États ou certaines provinces ne permettent pas l'exclusion ou la limitation des dommages accessoires ou consécutifs, de sorte que les limitations ou les exclusions mentionnées ci-dessus peuvent ne pas s'appliquer à vous.

Si un terme ou une limitation contenu dans cette garantie limitée est jugé inexécutable en vertu de la loi, ce terme sera disjoint des autres parties des garanties limitées, qui elles demeureront en vigueur.

Ces garanties sont sujettes à des changements sans préavis.

NOTES:
