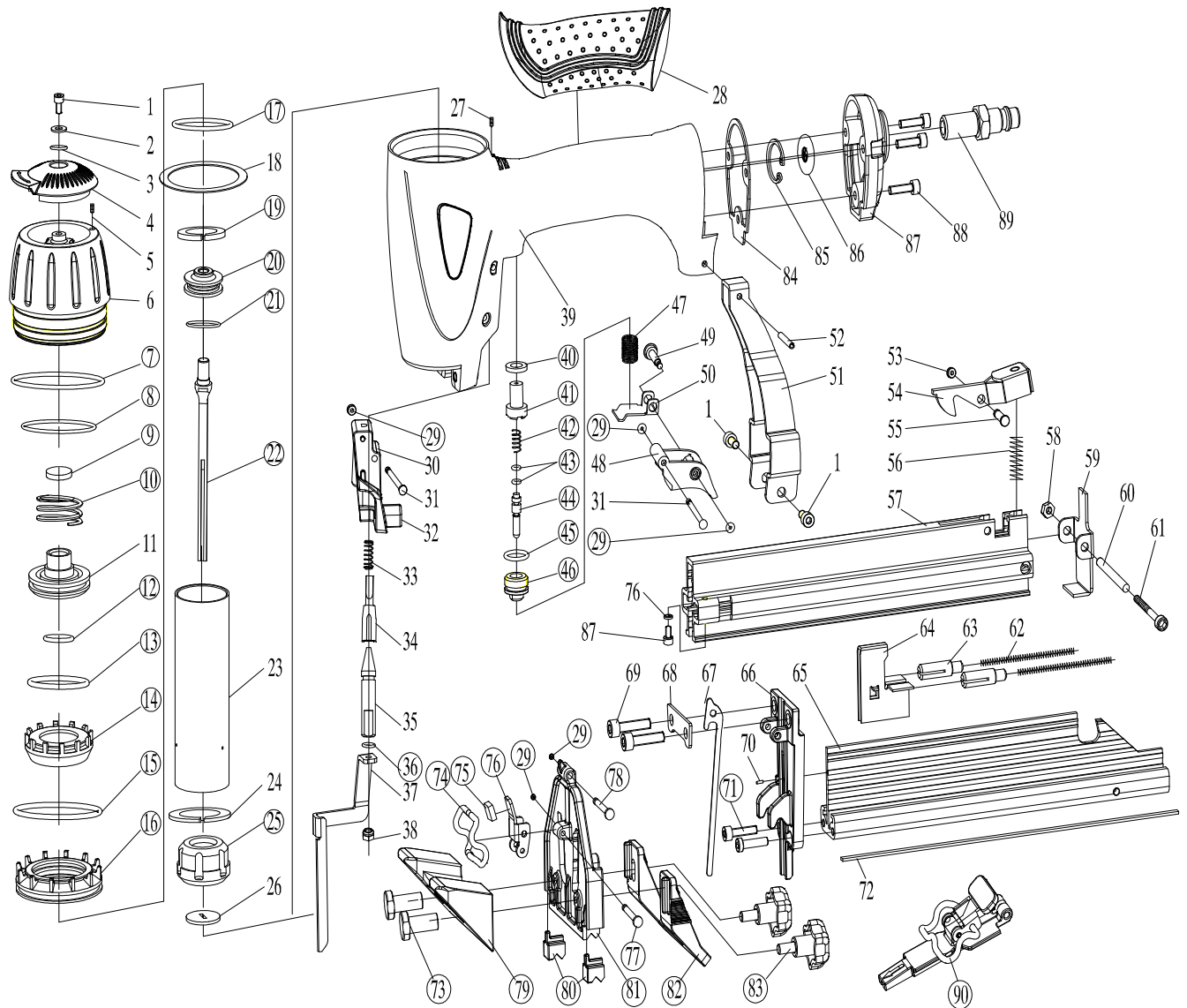


FREEMAN

PFBC940 REPAIR KITS



KIT MODEL	KIT DESCRIPTION	PART NUMBERS
RPFBC940	REBUILD O-RING KIT PFBC940	7,8,9,10 12,13,14,15,16,17,25,29,36
RPFBC940T	TRIGGER KIT PFBC940	40,41,42,43,44,45,46
RPFBC940D	DRIVE BLADE AND BUMPER KIT PFBC940	19,20,21,22
RPFBC940AN	REPLACEMENT NO-MAR FOOT PFBC940 ASSEMBLED	71,73,74,75,76,77,78,79,80,81,82,83
RPFBC940QR	REPLACEMENT QUICK RELEASE PFBC940	90